

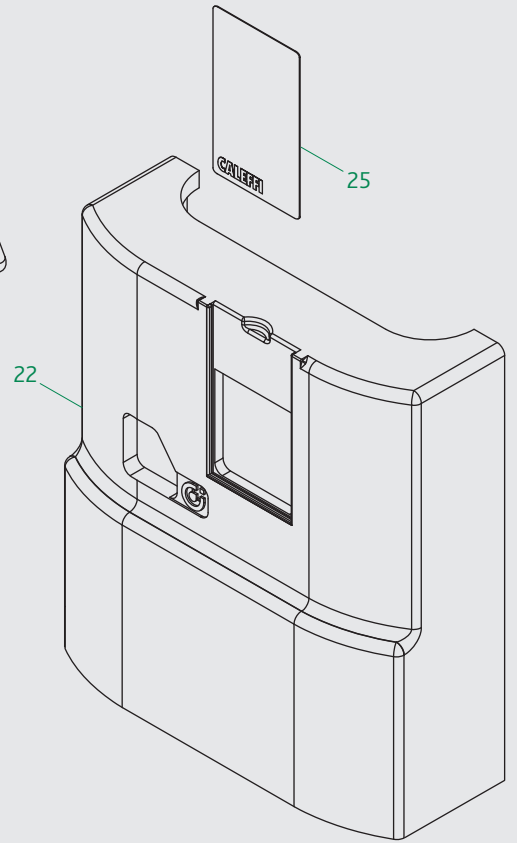
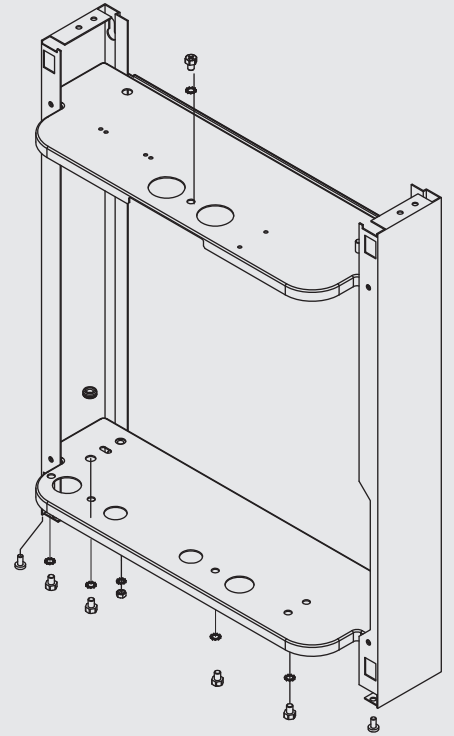
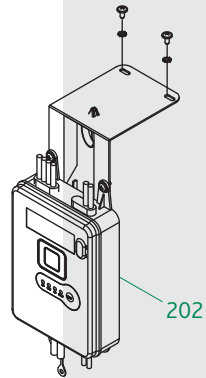
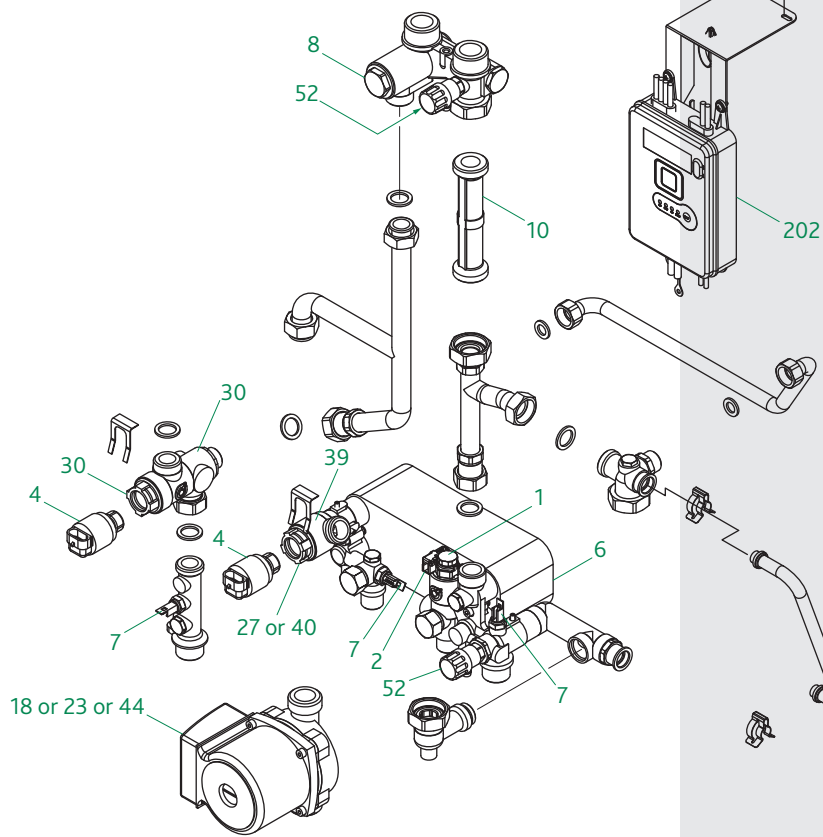
SATK HIUs



replacement component guide

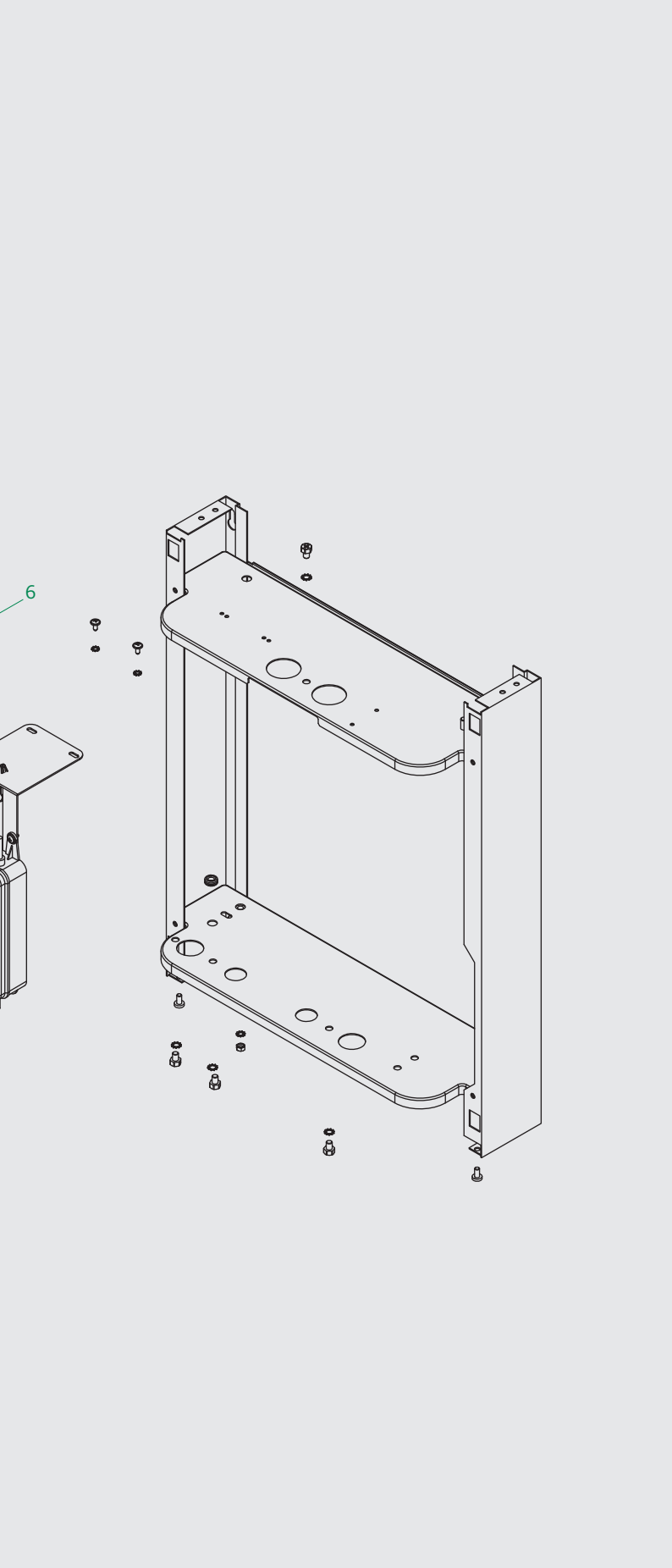
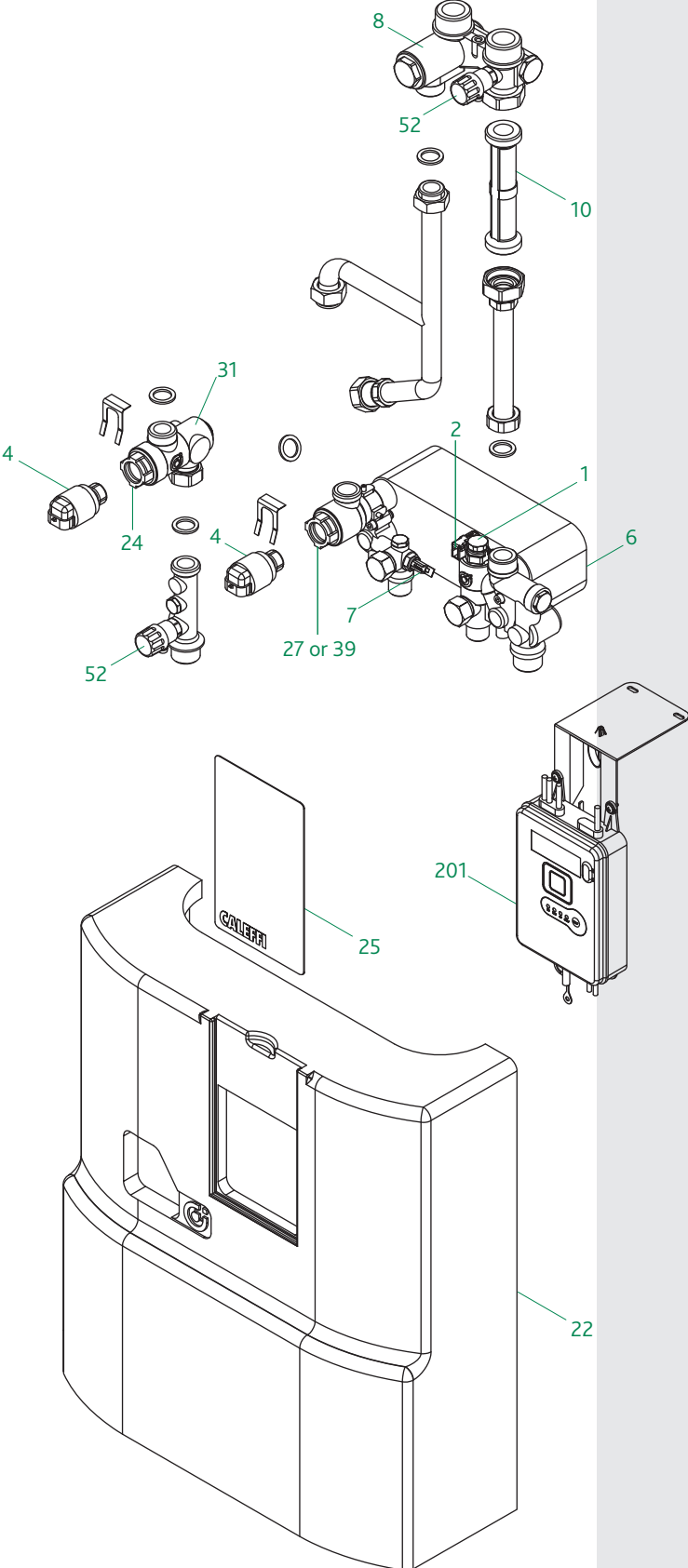
SATK HIUs Replacement Component Guide

SATK20203 HIU



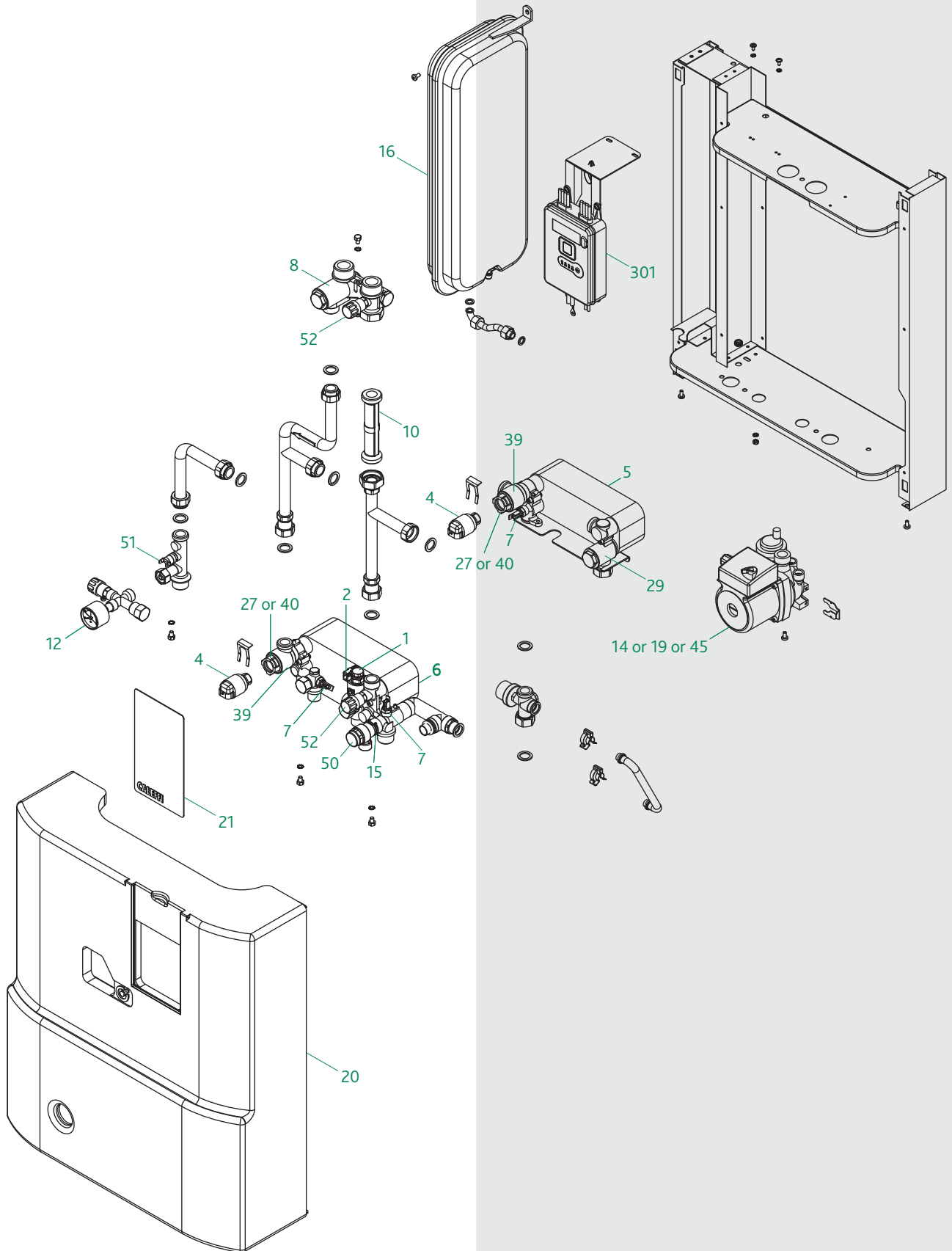
SATK HIUs Replacement Component Guide

SATK20303 HIU



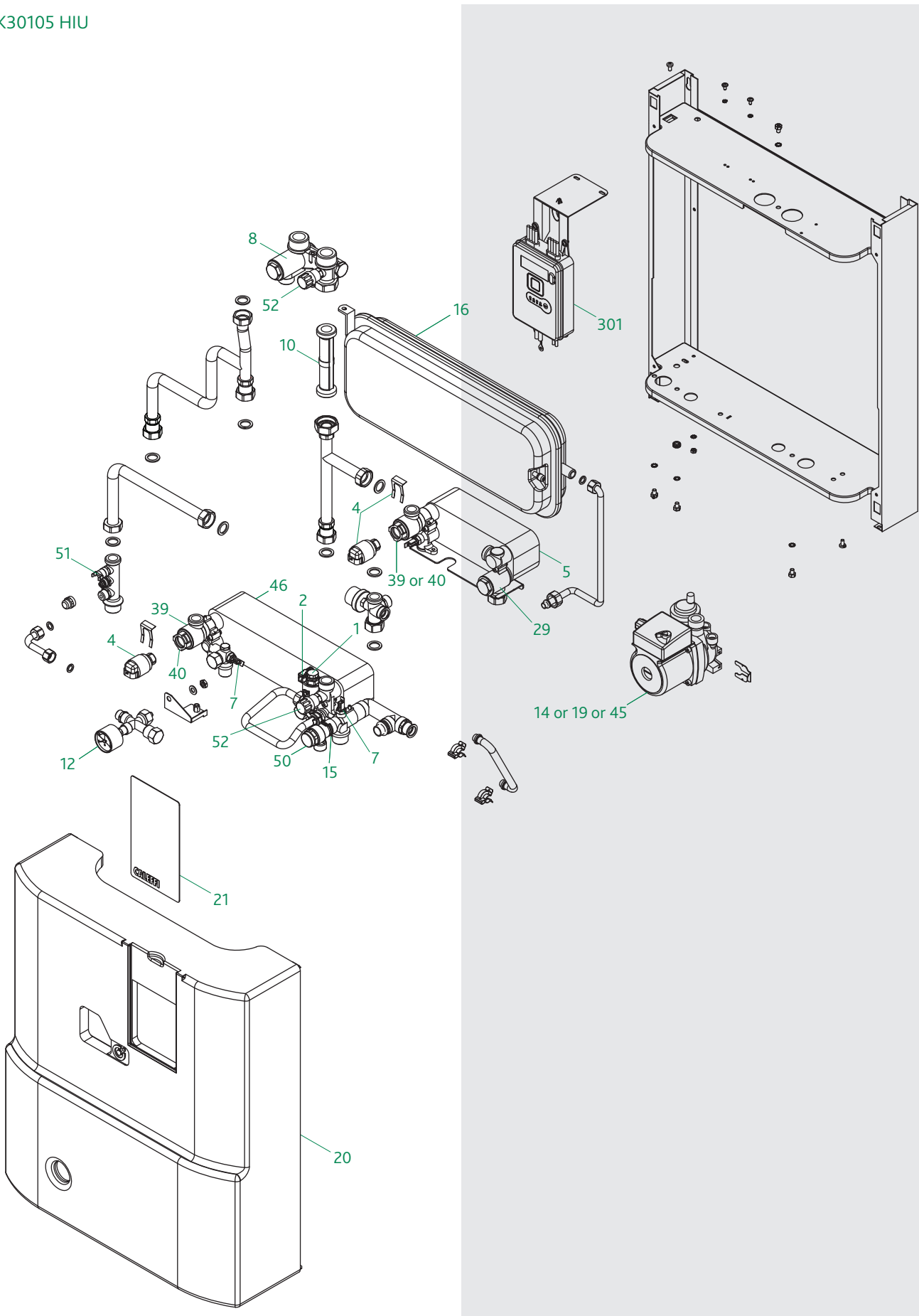
SATK HIUs Replacement Component Guide

SATK30103 HIU



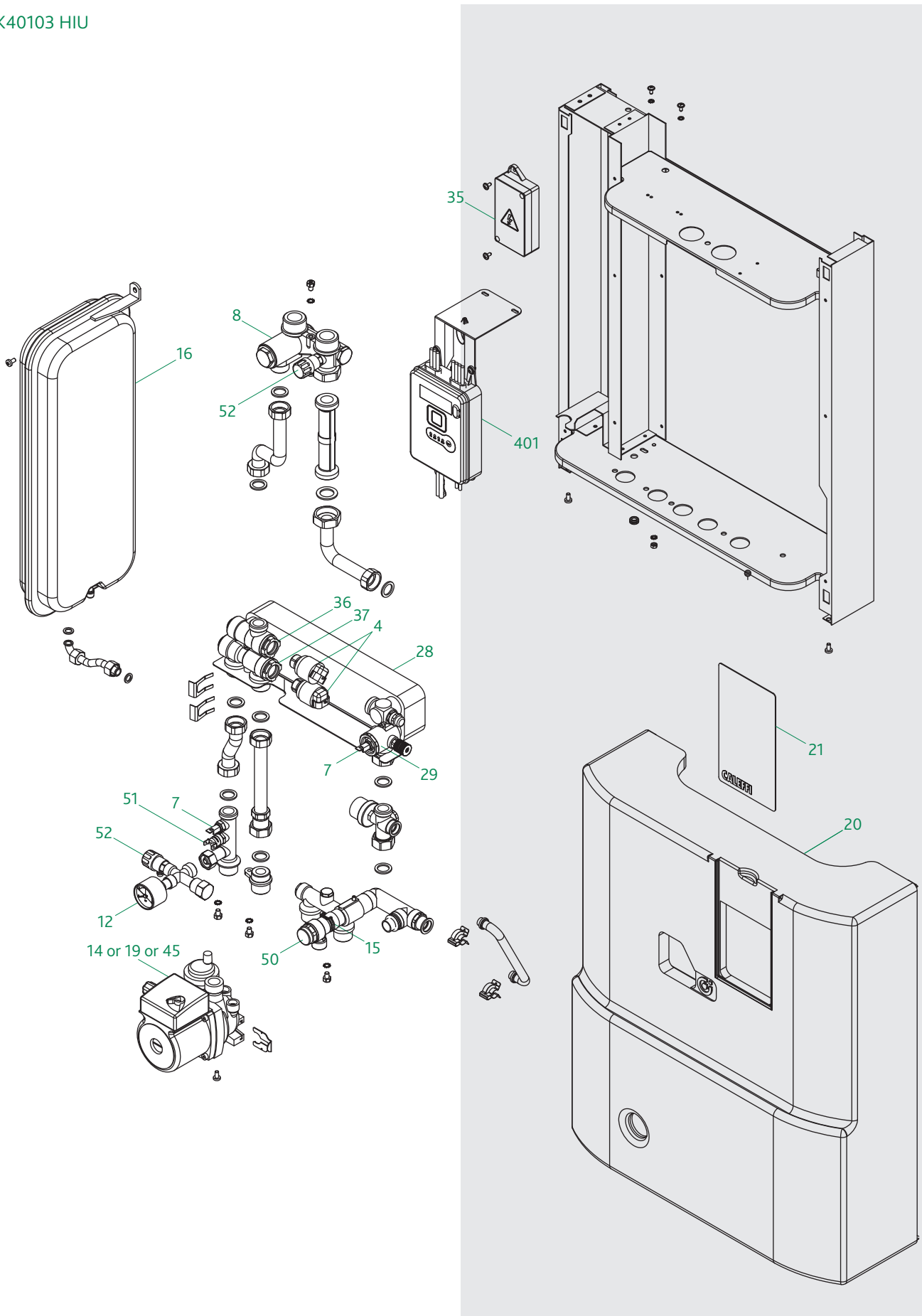
SATK HIUs Replacement Component Guide

SATK30105 HIU



SATK HIUs Replacement Component Guide

SATK40103 HIU



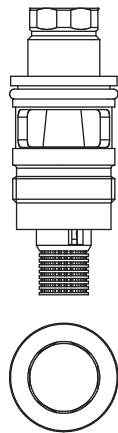
SATK HIUs Replacement Component Guide

Components

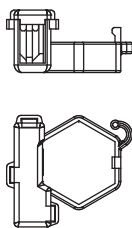
Item	Spares Code	Component
1	SATKF0001	Turbine transducer
2	SATKF0002	Turbine sensor
4	SATKF0004	Stepper motor kit (actuator + clip)
5	SATKF0005	24 plates "short" PHE
6	SATKF0006	30 plates "short" PHE
7	SATKF0007	Temperature probe
8	SATKF0008	Strainer mesh
10	SATKF0010	Heat meter spool piece
12	SATKF0012	Pressure gauge
13	SATKF0013	Pressure switch
14	SATKF0014	Pump for SATK30 & 40 (UPS 15-60)
15	SATKF0015	Safety relief valve clip
16	SATKF0016	7.5 litre expansion vessel
18	SATKF0018	UPM3 15-70 pump for SATK20
19	SATKF0019	UPM3 15-67 pump for SATK30 & 40
20	SATKF0020	EPP cover for SATK30 & 40
21	SATKF0021	Metal sliding window for SATK30 & 40
22	SATKF0022	EPP cover for SATK20
23	SATKF0023	Pump for SATK20 (UPS 15-60)
25	SATKF0025	Metal sliding window for SATK20
26	SATKF0026	'O' ring kit for heat exchanger
27	SATKF0027	Obturator cartridge for modulating valve (0.9 bar capability)
28	SATKF0028	16 plates "long" PHE
29	SATKF0029	Strainer mesh (secondary circuit)
30	SATKF0030	Mixing valve (body + actuator)
31	SATKF0031	On/Off valve complete for 20303
33	SATKF0033	Thermal safety relief valve + actuator
34	SATKF0034	Solenoid valve (actuator)

Item	Spares Code	Component
35	SATKF0035	Electrical connection box
36	SATKF0036	Spacer kit for modulating valve
37	SATKF0037	Spacer kit for diverting valve
39	SATKF0039	Modulating valve (1.65 bar capability)
40	SATKF0040	Obturator for mod. valve (1.65 bar)
44	SATKF0044	UPS2 15-16 pump for SATK20
45	SATKF0045	UPS2 15-16 pump for SATK30 & 40
46	SATKF0046	30 plates "long" PHE
47	SATKF0047	Fitting for filling loop
50	A312414 CST	Safety relief valve
51	R19093	Safety thermostat
52	337221	Air vent/draining cock
53	F19172	Straight pattern primary shut off valve with pressure port
54	F79172	Angle pattern primary shut off valve
201	SATKF0201	Electronic regulator SATK 20103
202	SATKF0202	Electronic regulator SATK 20203
203	SATKF0203	Electronic regulator SATK 20303
301	SATKF0301	Electronic regulator SATK 30103 & SATK 30105
401	SATKF0401	Electronic regulator SATK 40103

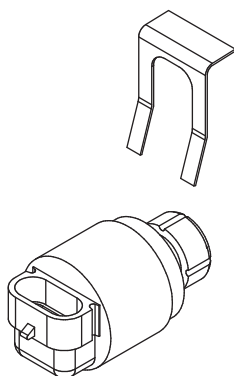
SATK HIUs Replacement Component Guide



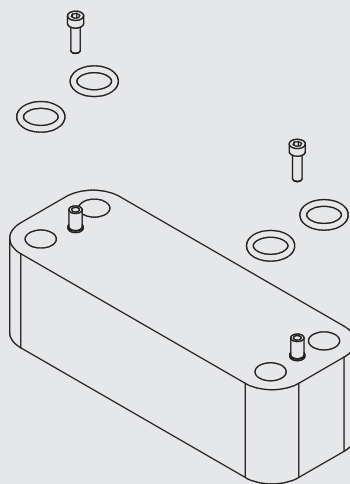
1 SATKF0001 - Turbine transducer



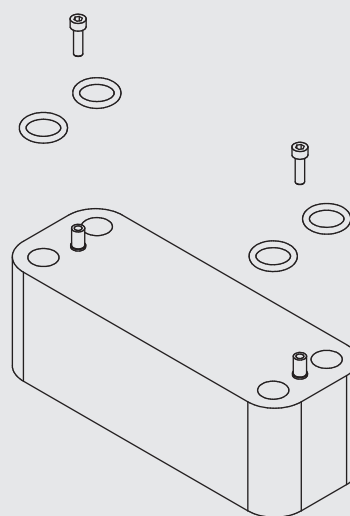
2 SATKF0002 - Turbine sensor



4 SATKF0004 - Stepper motor kit actuator and clip

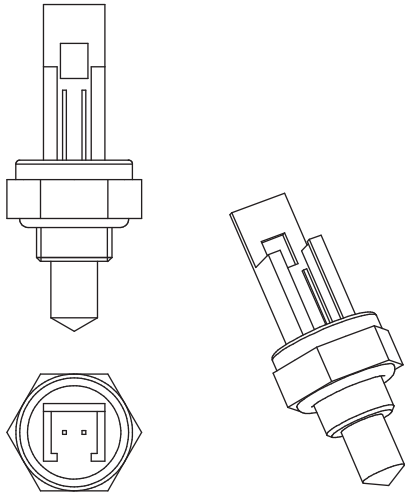


5 SATKF0005 - Heat exchanger (24 plates - heating circuit)

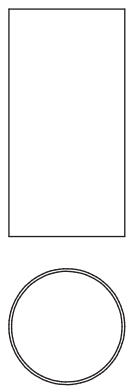


6 SATKF0006 - Heat exchanger (30 plates - DHW circuit)

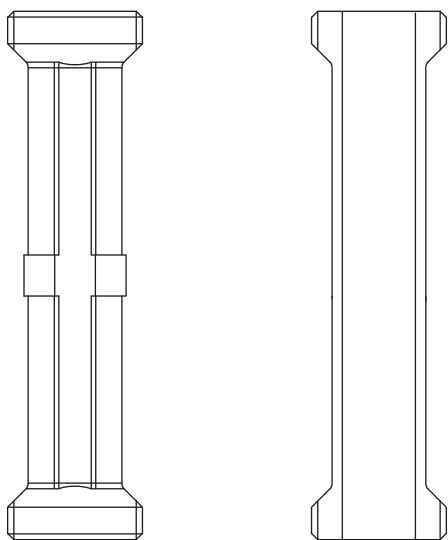
SATK HIUs Replacement Component Guide



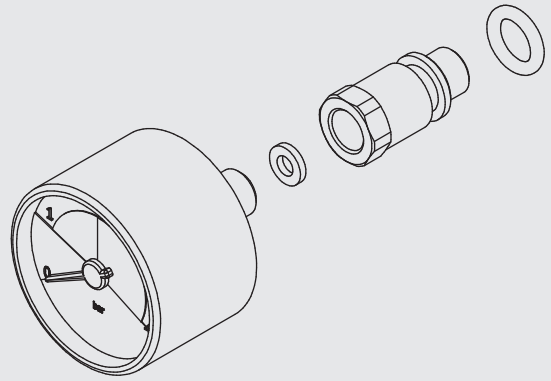
7 SATKF0007 - Temperature probe



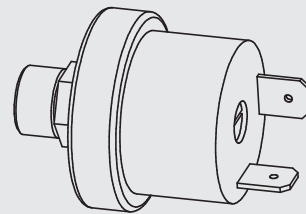
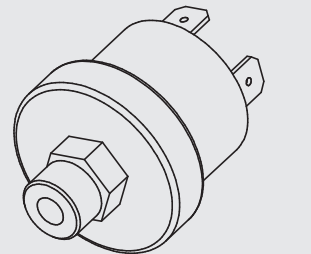
8 SATKF0008 - Strainer mesh



10 SATKF0010 - Heat meter spool

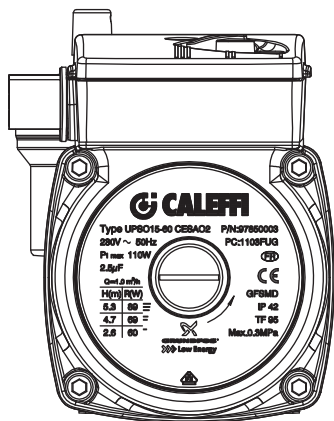


12 SATKF0012 - Pressure gauge

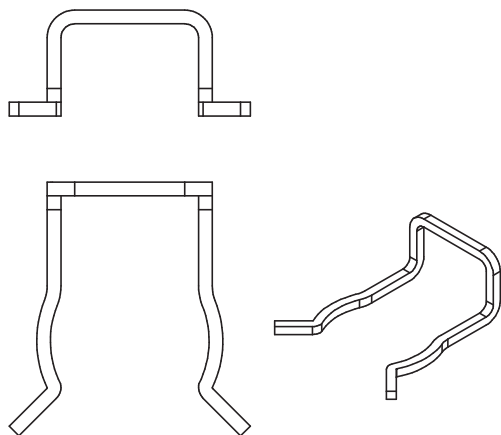
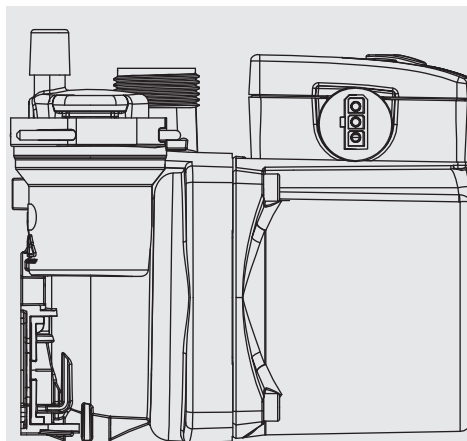


13 SATKF0013 - Pressure switch

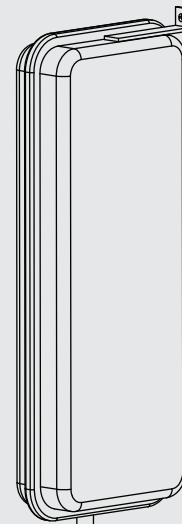
SATK HIUs Replacement Component Guide



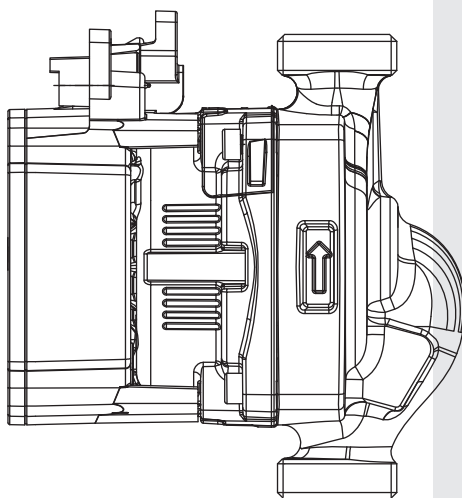
14 SATKF0014 - UPS 15-60 Pump for SATK30 & 40



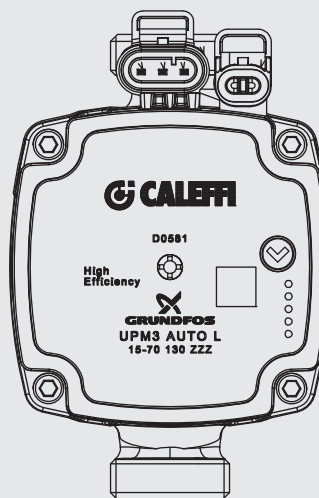
15 SATKF0015 - Safety relief valve clip



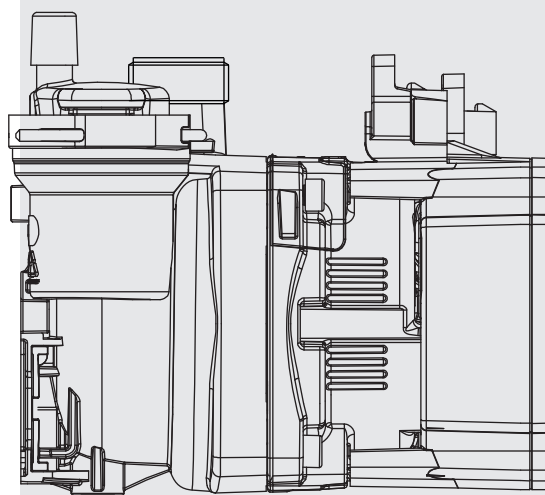
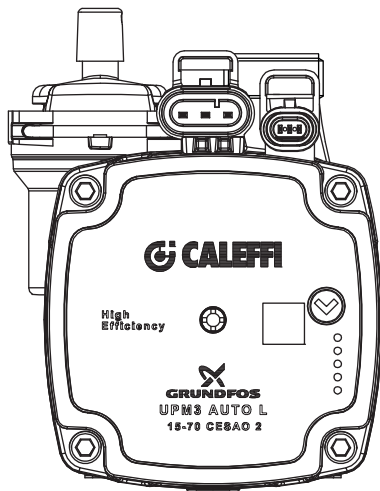
16 SATKF0016 - Expansion vessel



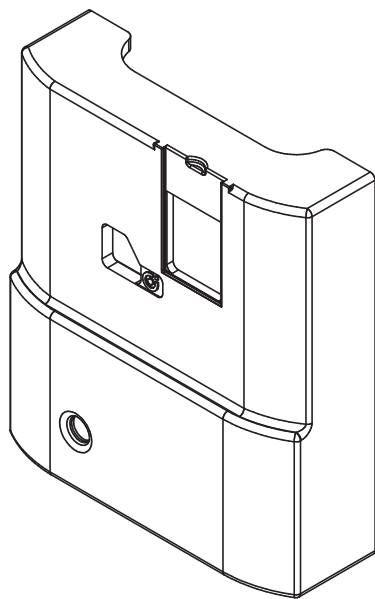
18 SATKF0018 - UPM3 15-70 AUTO L Pump for SATK20



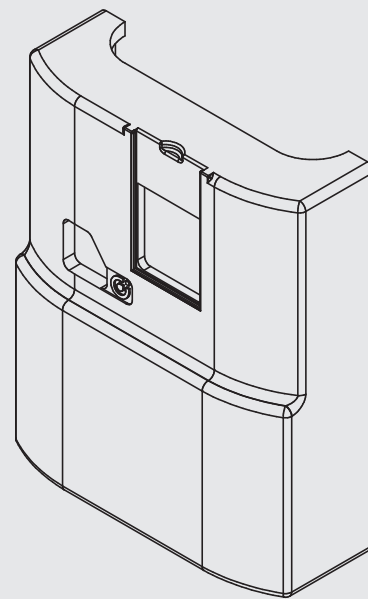
SATK HIUs Replacement Component Guide



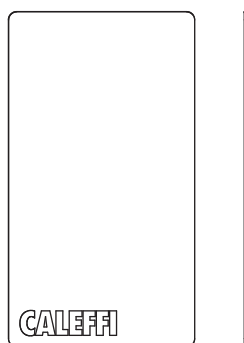
19 SATKF0019 - UPM3 15-70 AUTO L Pump for SATK30 & 40



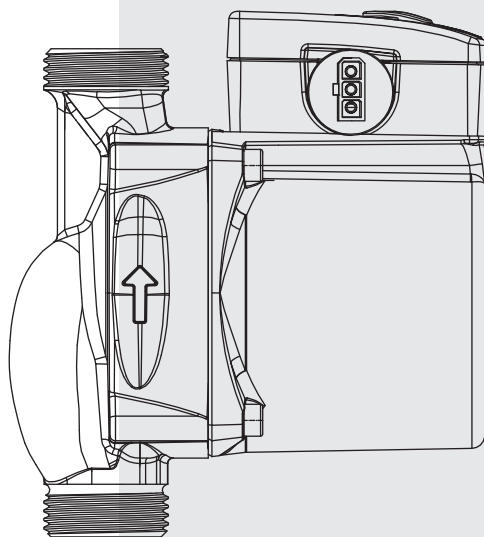
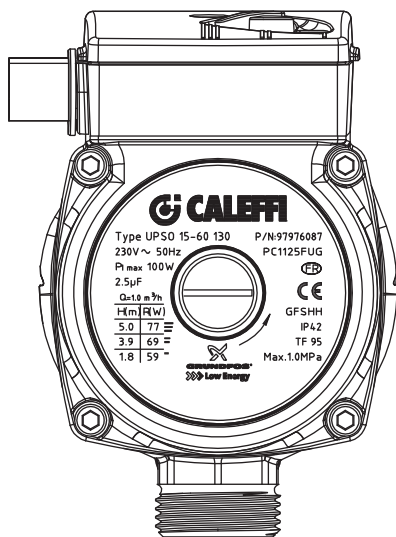
20 SATKF0020 - EPP cover for indirect SATK30 & 40 HIUs



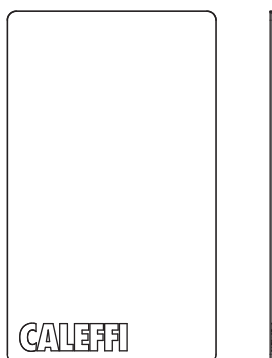
22 SATKF0022 - EPP cover for direct SATK20 HIUs



21 SATKF0021 - Metal sliding window for indirect SATK30 & 40 HIUs



23 SATKF0023 - UPS 15-60 Pump for SATK20

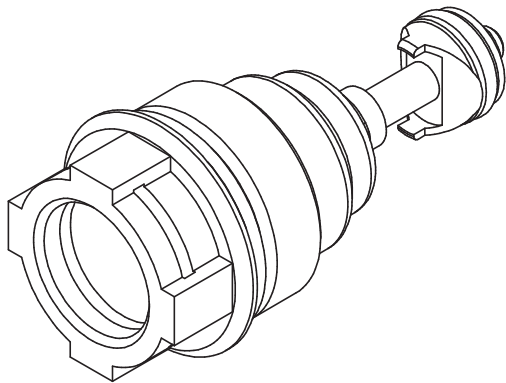


25 SATKF0025 - Metal sliding window for direct SATK20 HIUs

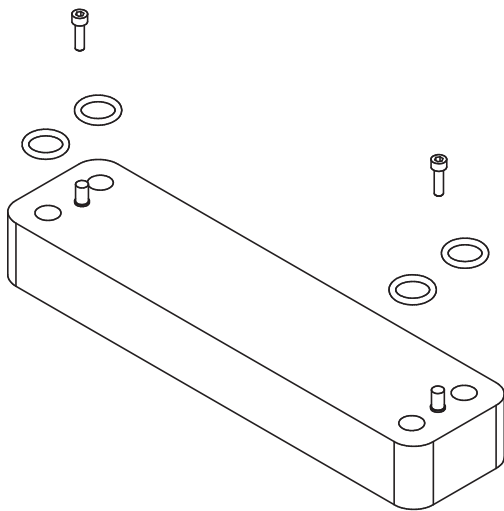
TYPE R15	
MATERIAL EP 856	
COLOUR BLACK	
Ø SECTION	3.6
Ø INTERNAL	18.3
Ø EXTERNAL	25.5
HARDNESS SH	83

26 SATKF0026 - 'O' ring for heat exchanger

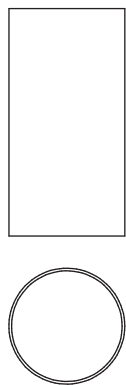
SATK HIUs Replacement Component Guide



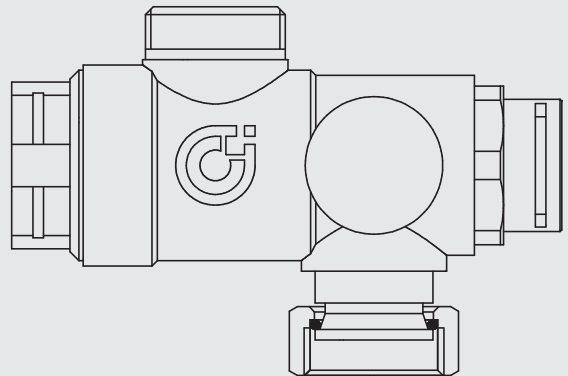
27 SATKF0027 - Obtrurator cartridge for modulating valve (0.9 bar capability)



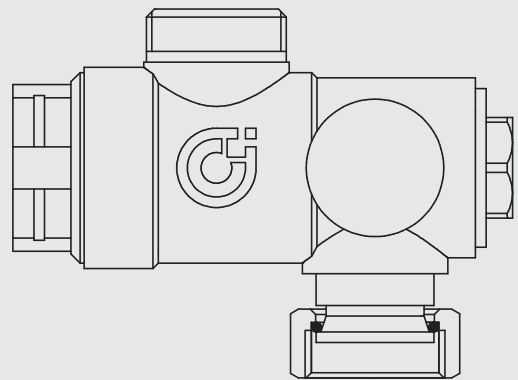
28 SATKF0028 - Heat exchanger (16 Plates for SATK 40103)



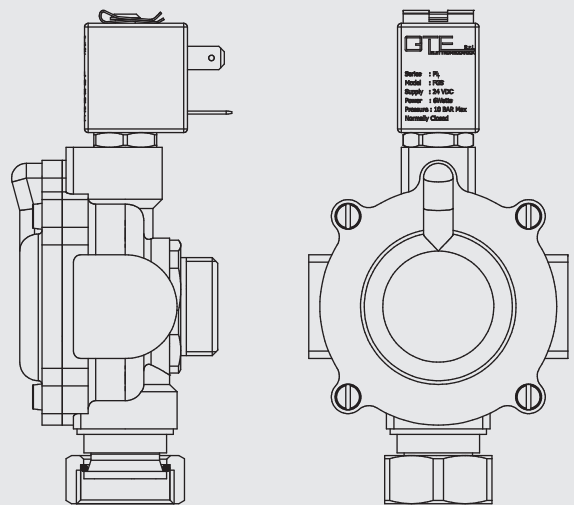
29 SATKF0029 - Strainer mesh (secondary circuit)



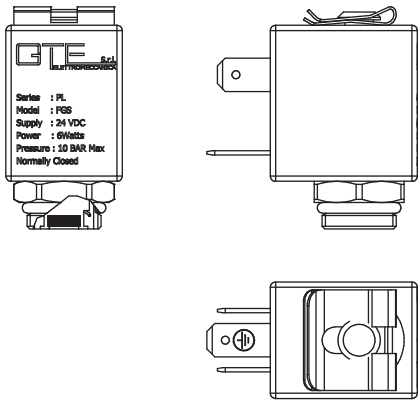
30 SATKF0030 - Mixing valve for SATK20103 & 20203



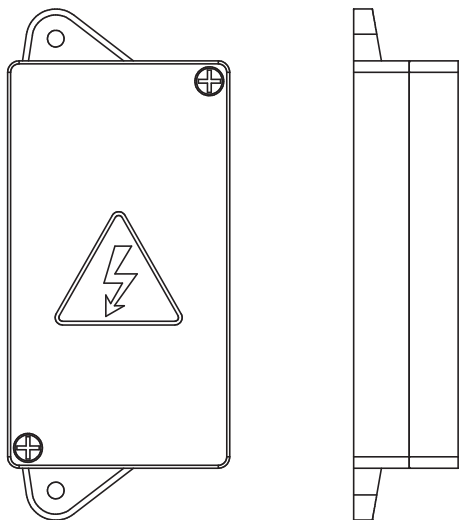
31 SATKF0031 - ON/OFF valve for SATK20303



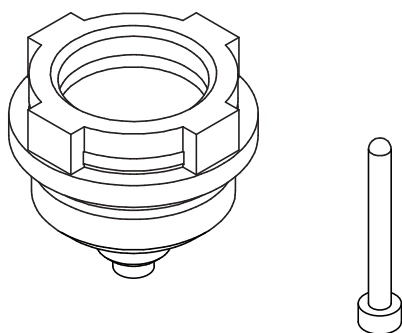
33 SATKF0033 - Thermal safety relief valve & actuator



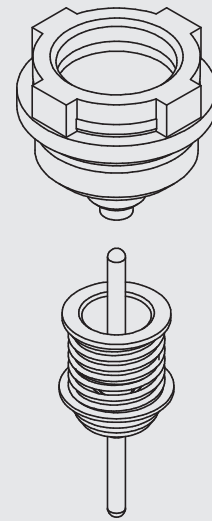
34 SATKF0034 - Solenoid valve actuator



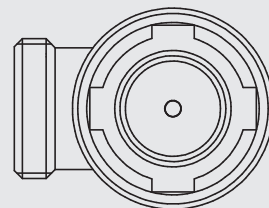
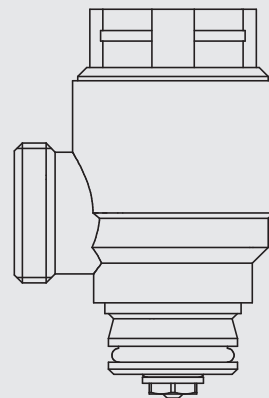
35 SATKF0035 - Electrical connection box



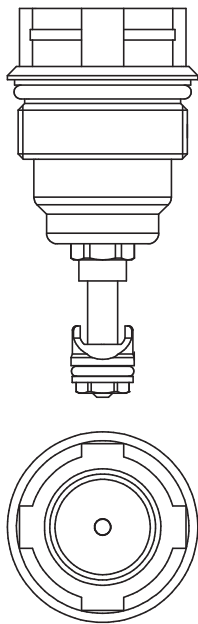
36 SATKF0036 - Spacer kit for modulating valve



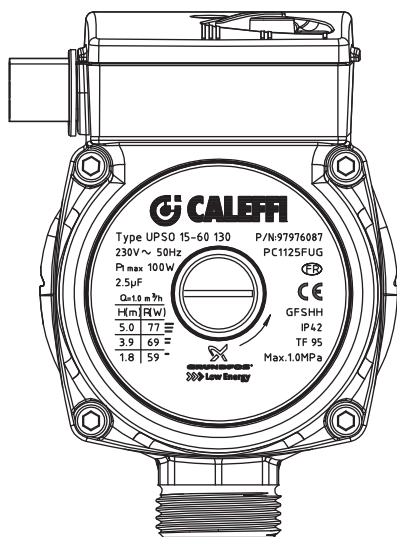
37 SATKF0037 - Spacer kit for diverting valve



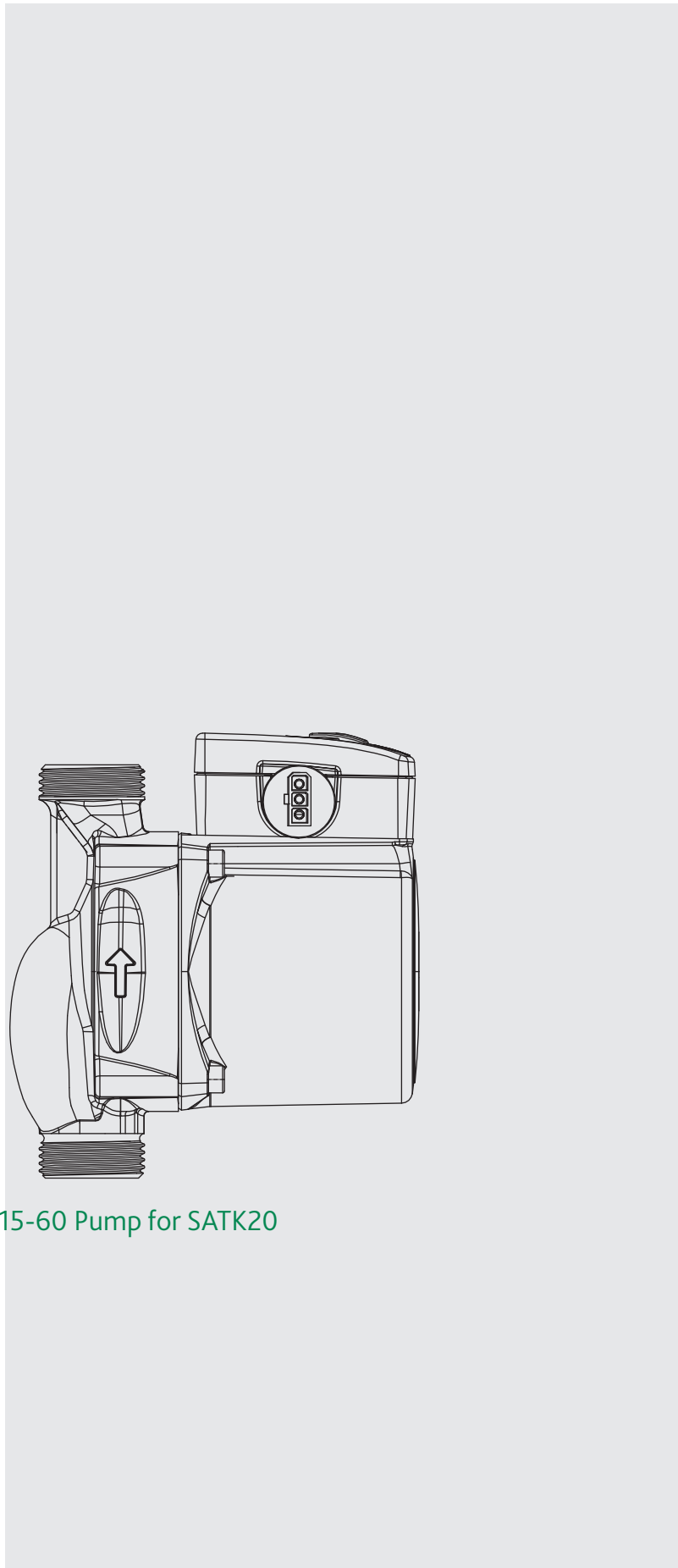
39 SATKF0039 - Modulating valve (1.65 bar capacity)



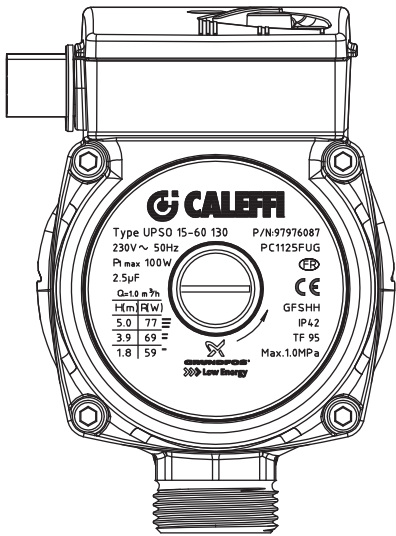
40 SATKF0040 -Obturator for modulating valve (1.65 bar capacity)



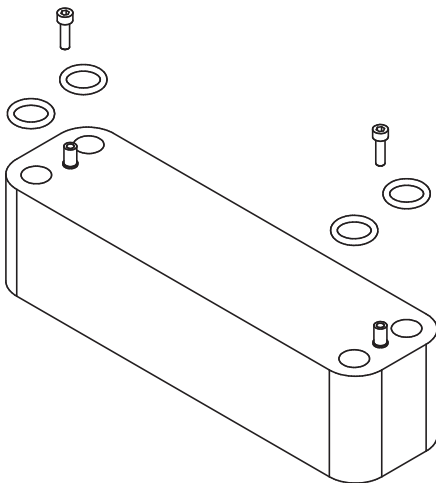
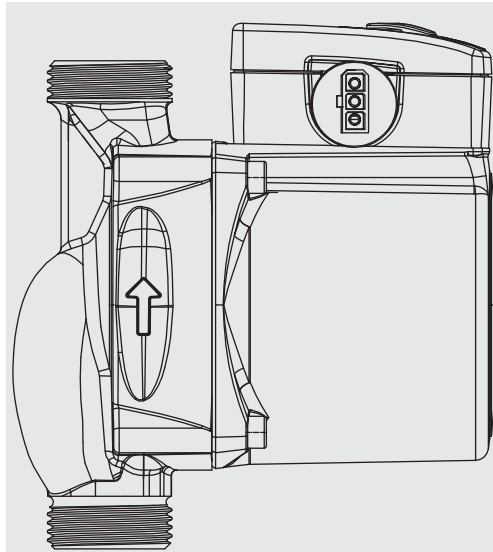
44 SATKF0044 - UPS 15-60 Pump for SATK20



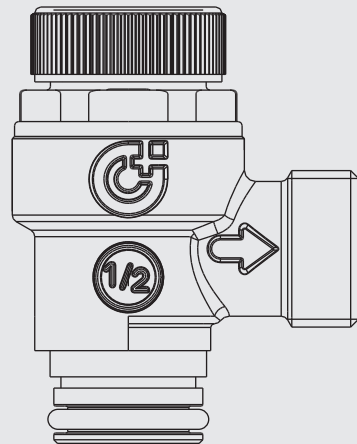
SATK HIUs Replacement Component Guide



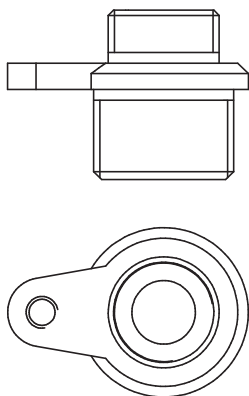
45 SATKF0045 - UPS 15-60 Pump for SATK30 & SATK40



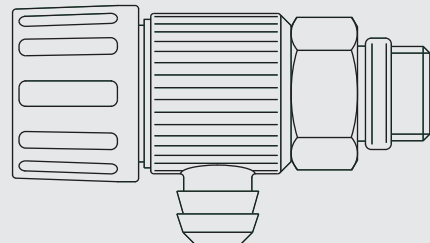
46 SATKF0046 - Heat exchanger (30 plates, DHW circuit)



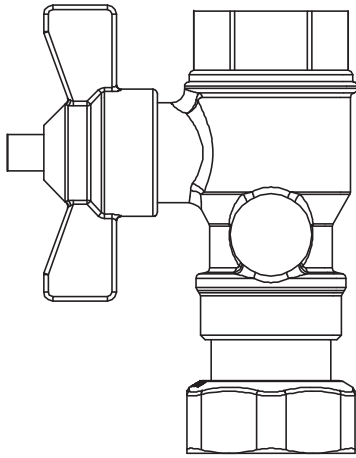
50 A312414 CST - Safety relief valve



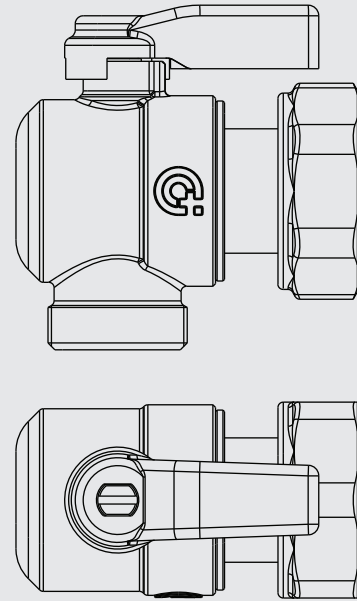
47 SATKF0047 - 3/4" to 1/2" fitting for filling loop



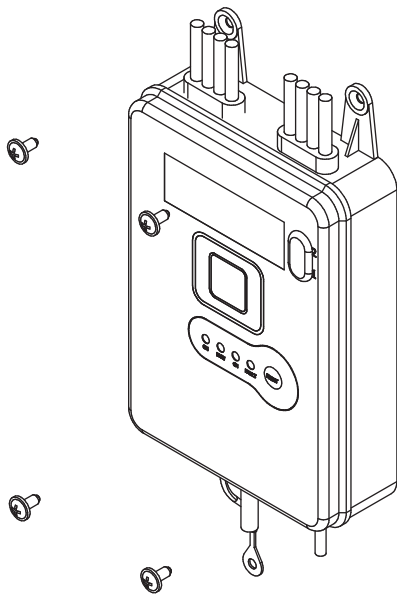
52 337221 - Air vent/drain cock



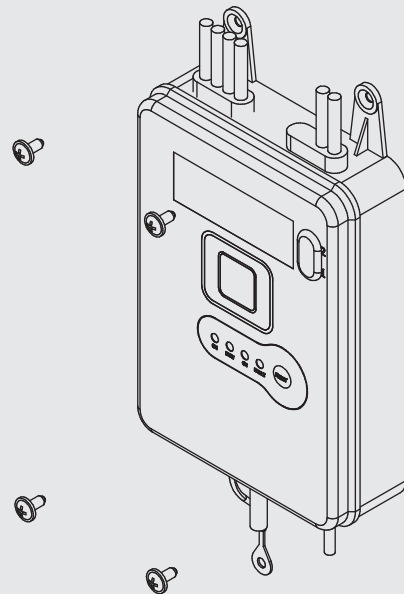
53 F19172 - Straight primary shut off valve with pressure port



54 F79172 - Angled shut off valve

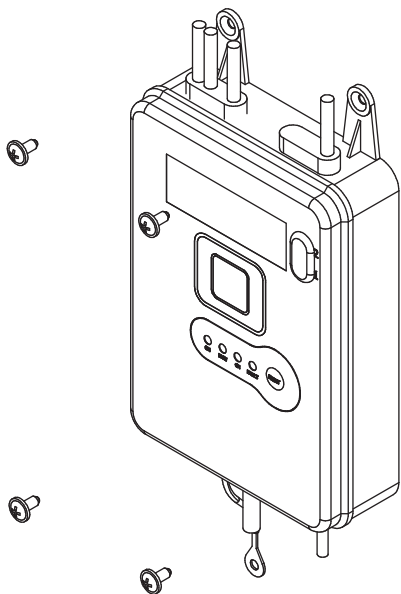


201 SATKF0201 - Electronic regulator for SATK20103

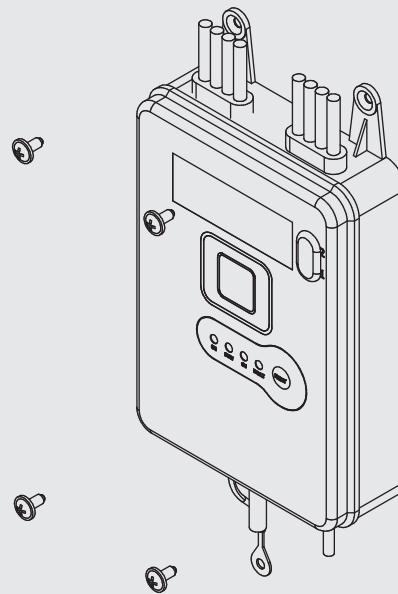


202 SATKF0202 - Electronic regulator for SATK20203

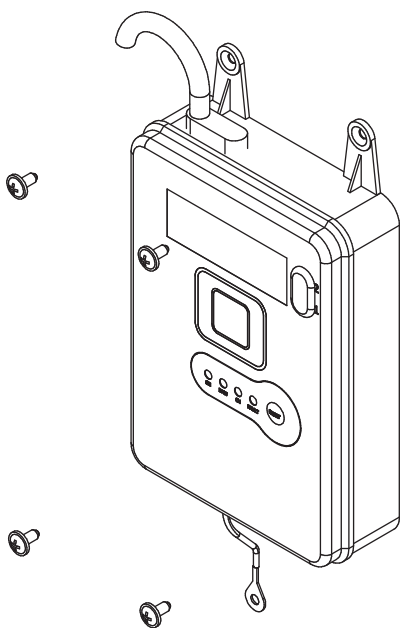
SATK HIUs Replacement Component Guide



203 SATKF0203 - Electronic regulator for SATK20303



301 SATKF0301 - Electronic regulator for SATK30



401 SATKF0401 - Electronic regulator for SATK40103

Note:

Use only genuine Altecnic replacement components.
For technical assistance contact Altecnic on 01785 218200

SATK HIUs Replacement Component Guide

Notes:

© Patents & Design Altecnic 2021

Altecnic Ltd retains all rights (including patents, designs and copyrights, trademarks and any other intellectual property rights) in relation to all information provided on or via the website, brochures or any other documents, including all texts, graphics and logos, contained on the website, in brochures or in any other documents published in the name of or on behalf of Altecnic Ltd in any form, without prior written consent of Altecnic Ltd.

Altecnic Ltd Mustang Drive, Stafford, Staffordshire ST16 1GW

T: +44 (0)1785 218200 E: sales@altecnic.co.uk

Registered in England No: 02095101

altecnic.co.uk

IOM 078 15-01-21

E & O.E

© Altecnic Limited. 2021

ALTECNIC™

altecnic
CALEFFI group