

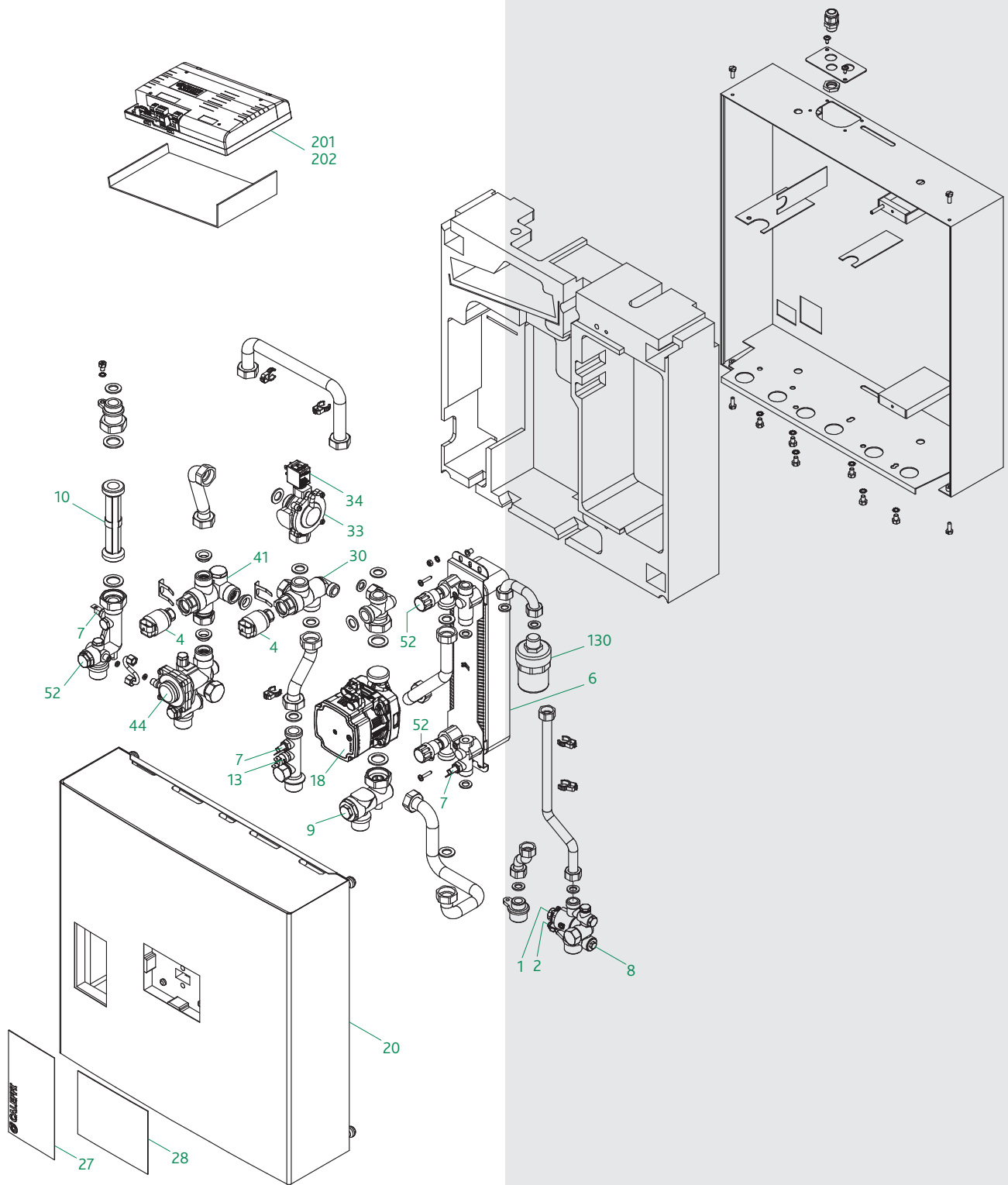
SATK22 & SATK32 HIUs



replacement component guide

SATK HIUs Replacement Component Guide

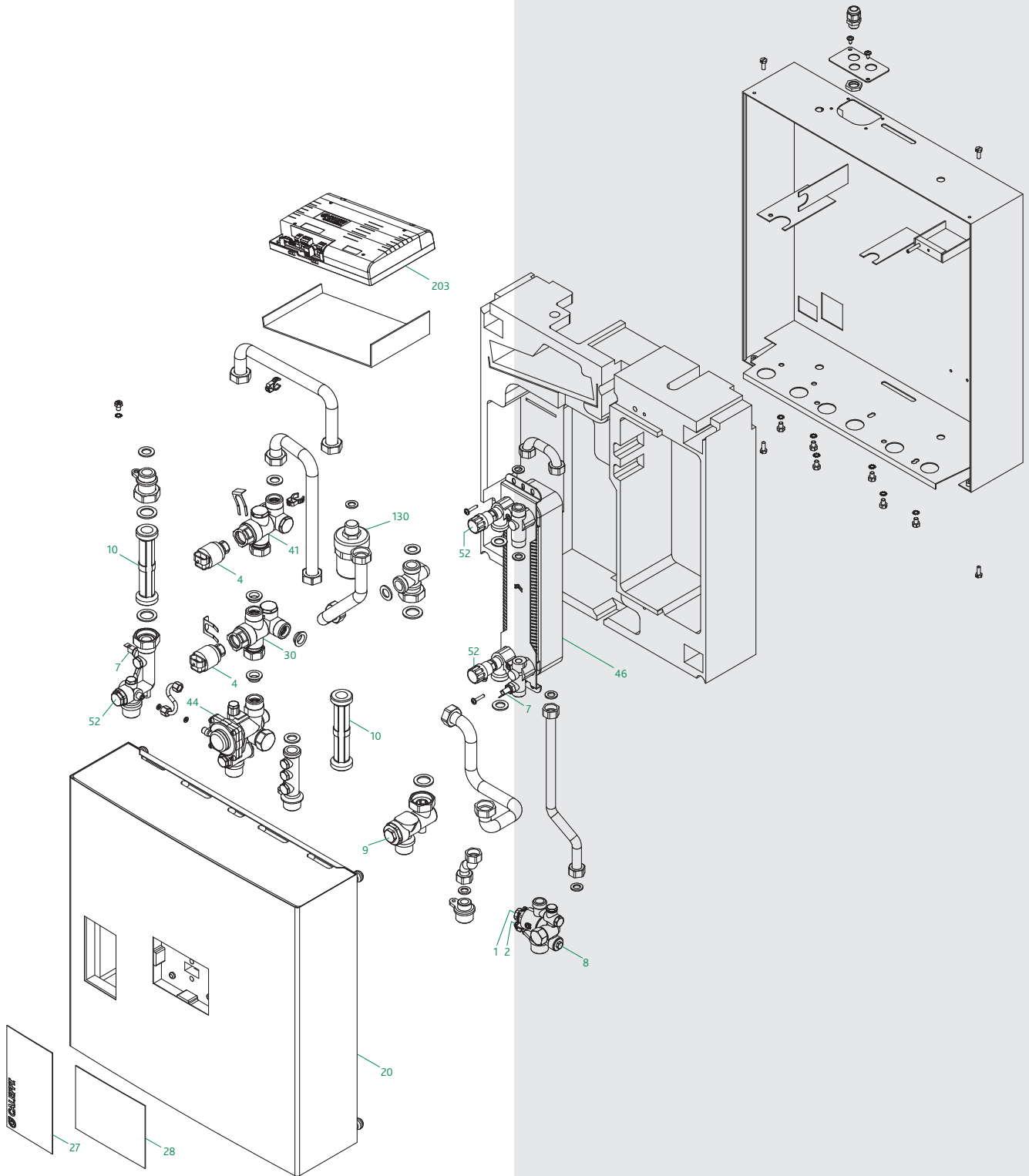
SATK 2210LOW & SATK 2220 MEDIUM HIUs



SATK HIUs Replacement Component Guide

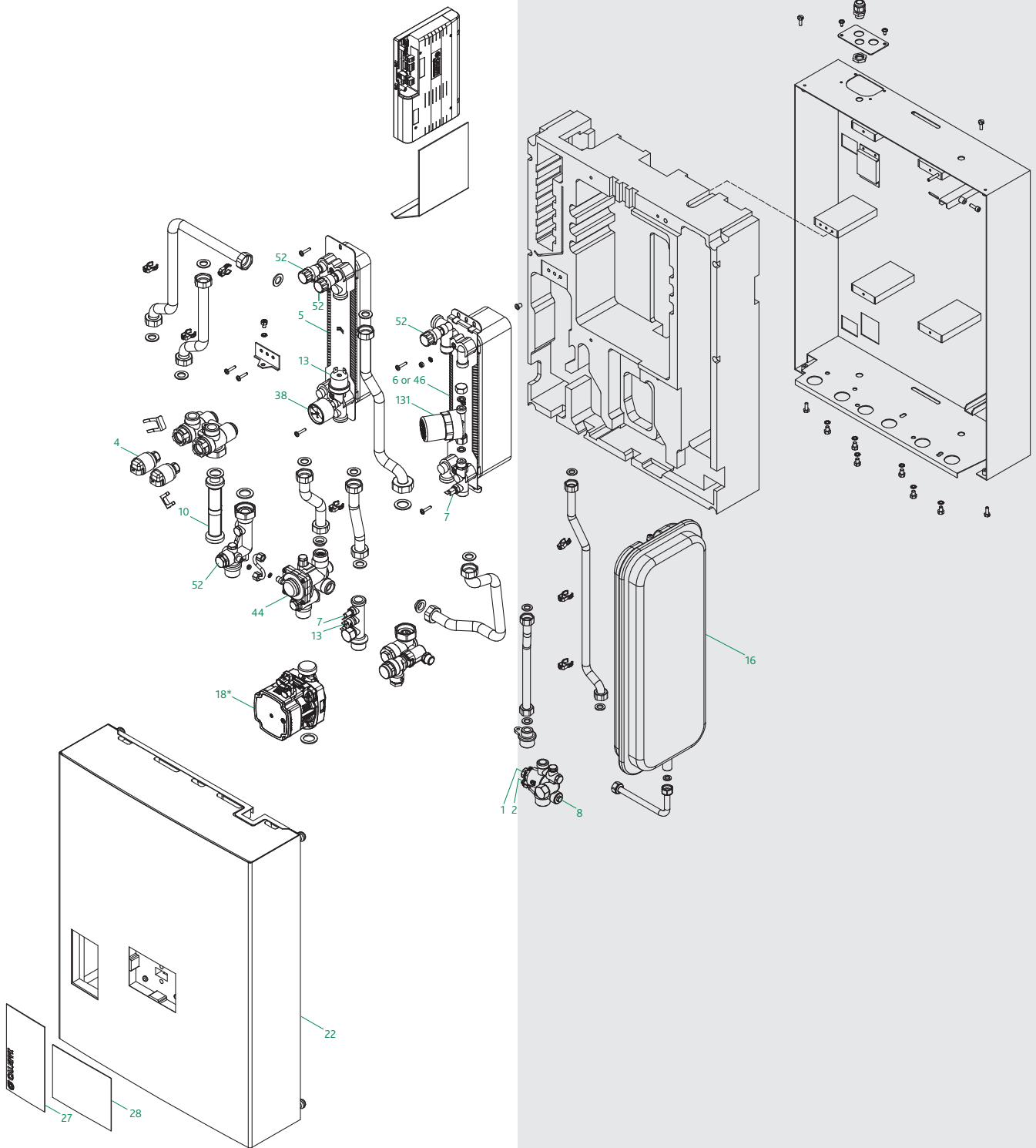
SATK 2230 HIGH & SATK 2240 with PUMP HIUs

Pump on shown



SATK HIUs Replacement Component Guide

SATK 32103 50 kW & SATK 32105 75 kW HIUs



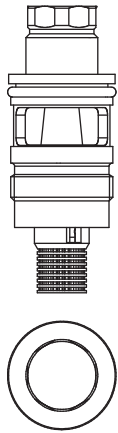
SATK HIUs Replacement Component Guide

Components

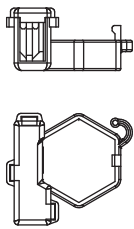
Item	Spares Code	Component
1	SATKF0001	Turbine transducer
2	SATKF0002	Turbine sensor
4	SATKF0004	Stepper motor kit (actuator + clip)
5	SATKF0005	15 kW, 14 plate heating circuit PHE
6	SATKF0006	50kW, 22 plate domestic circuit PHE
7	SATF0007	
8	SATKF0008	Secondary strainer mesh
9	SATKF2008	Primary strainer mesh
10	SATKF0010	Heat meter spool piece
13	SATF0013	Pressure switch
16	SATKF2016	Expansion vessel
18	SATKF0018	UPM3 15-70 pump for SATK22 & 32
20	SATKF2020	EPP cover for SATK22
22	SATKF2022	EPP cover for SATK32
24	SATK2024	Mixing valve cartridge for SATK2210 & SAT2220
26	SATKF0026	'O' ring kit for heat exchanger
27	R0000627	Cover for heat meter
28	R0000828	Cover for remote user interface
30	SATKF2030	Complete mixing valve for SATK2210 & SATK2220
31	SATKF2031	Complete heating control valve for SATK2230 & SATK2240
33	SATKF0033	Thermal safety relief valve & actuator
34	SATKF0034	Solenoid valve (actuator)
38	SATKF0038	Pressure gauge
40	SATKF2040	Control valve cartridge for SATK32
41	SATK2041	Complete control valve for SATK22 DHW & SATK32
44	SATK2044	Differential pressure control valve for SATK22 & SATK32
45	SATK2045	DHW turbine bypass cartridge & stariner for SATK22 & SATK32

Item	Spares Code	Component
46	SATKF2046	60 kW, 36 plate domestic circuit PHE
50	A312439 CST	Safety relief valve
52	337221	Air vent/draining cock
130	525041 CST	Mechanical shock arrester
131	525131	Mechanical shock arrester
200	SATK2000	Remote user interface for SATK22 & SATK32
201	SATKF2201	Control board (internal) for SATK2210
202	SATKF2202	Control board (internal) for SATK2220
204	SATKF2203	Control board (internal) for SATK2230 & SATK2240
301	SATKF2301	Control board (internal) for SATK3210

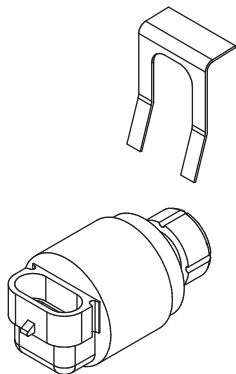
SATK HIUs Replacement Component Guide



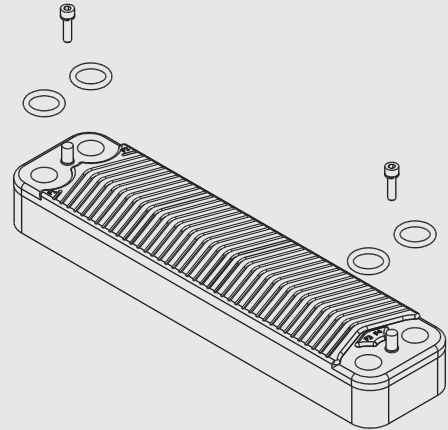
1 SATKF0001 - Turbine transducer



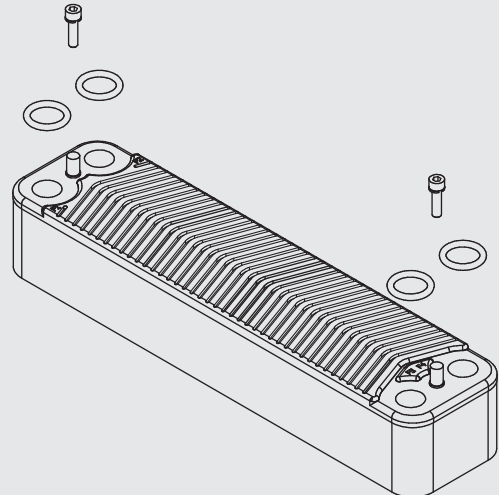
2 SATKF0002 - Turbine sensor



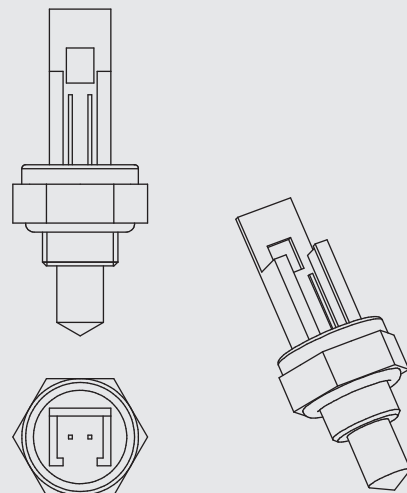
4 SATKF0004 - Stepper motor kit actuator and clip



5 SATKF2005 - 15 kW Heat exchanger (14 plates - heating circuit)

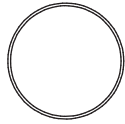


6 SATKF2006 - 50 kW Heat exchanger (22 plates - DHW circuit)

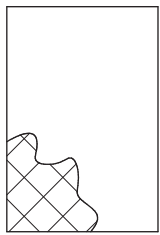
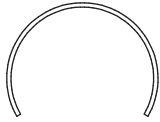


7 SATKF0007 - Temperature probe

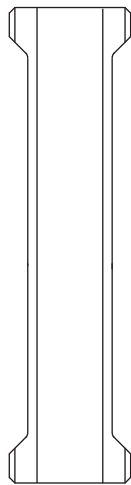
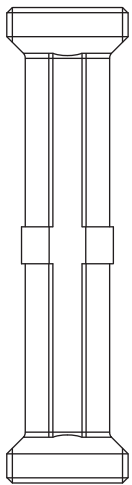
SATK HIUs Replacement Component Guide



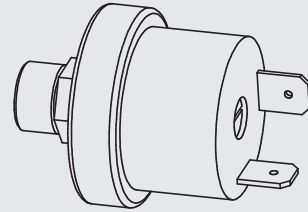
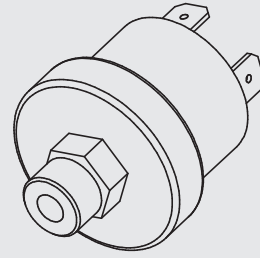
8 SATKF0008 - Secondary strainer mesh



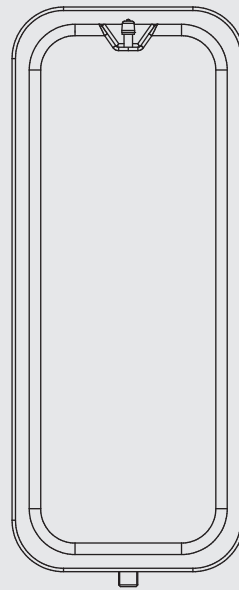
9 SATKF2008 - Primary strainer mesh



10 SATKF0010 - Heat meter spool

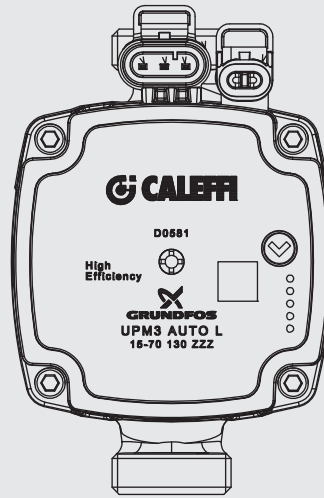
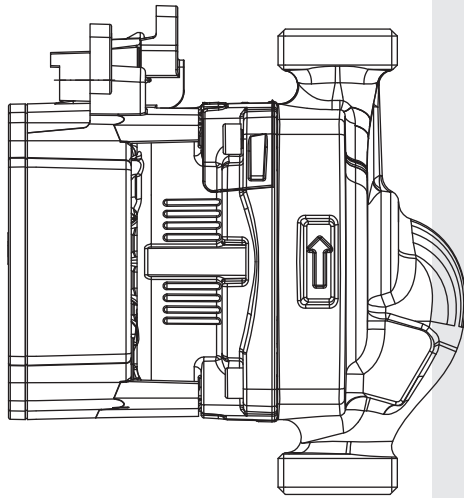


13 SATKF0013 - Pressure switch

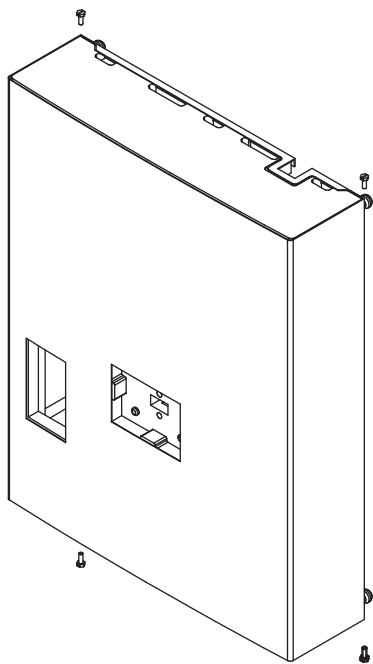


16 SATKF2016 - Expansion vessel

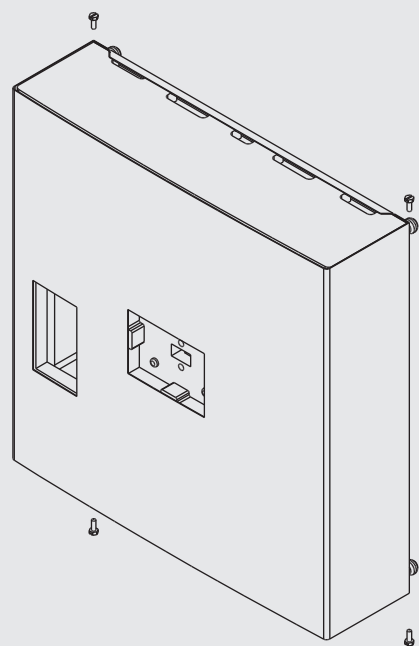
SATK HIUs Replacement Component Guide



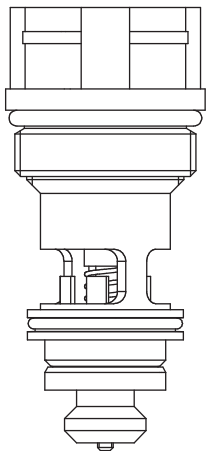
18 SATKF0018 - UPM3 15-70 AUTO L Pump
for SATK22 & SATK32



20 SATKF2020 - EPP cover for
indirect SATK22 HIUs



22 SATKF2022 - EPP cover for
direct SATK32 HIUs



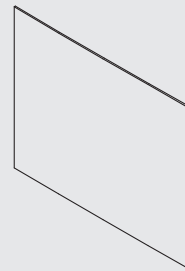
24 SATKF2024 - Mixing valve cartridge for SATK2210 & SATK2220

TYPE R15	
MATERIAL EP 856	
COLOUR BLACK	
Ø SECTION	3.6
Ø INTERNAL	18.3
Ø EXTERNAL	25.5
HARDNESS SH	83

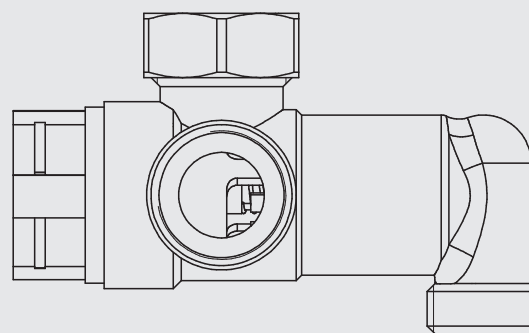
26 SATKF0026 - 'O' ring for heat exchanger



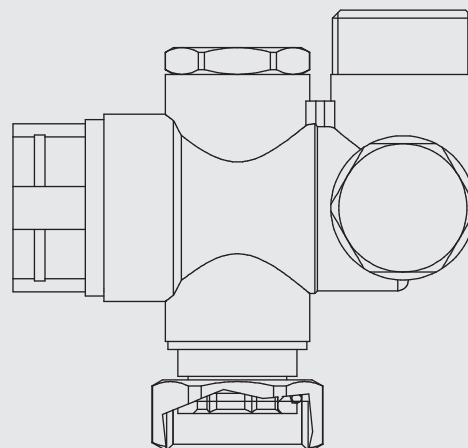
27 R0000627 - Cover for heat meter



28 R0000628 - Cover for remote user interface

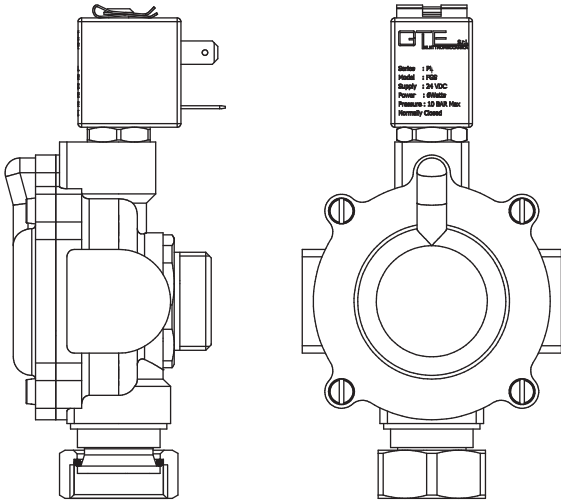


30 SATKF2030 - Complete mixing valve for SATK2210 & SATK2220

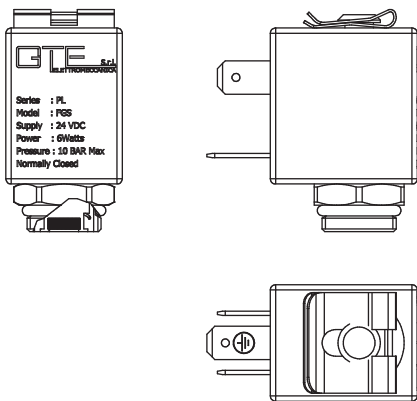


31 SATKF2031 - Complete heating control valve for SATK2230 & SATK2240

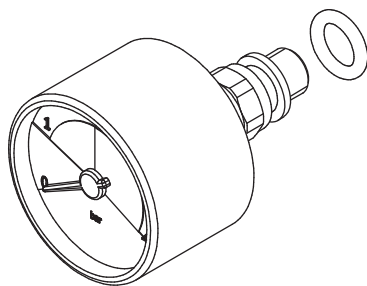
SATK HIUs Replacement Component Guide



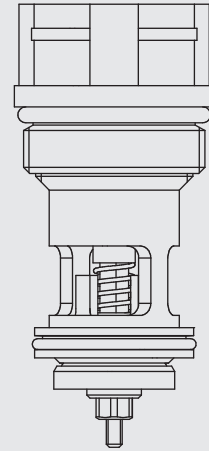
33 SATKF0033 - Thermal safety relief valve & actuator



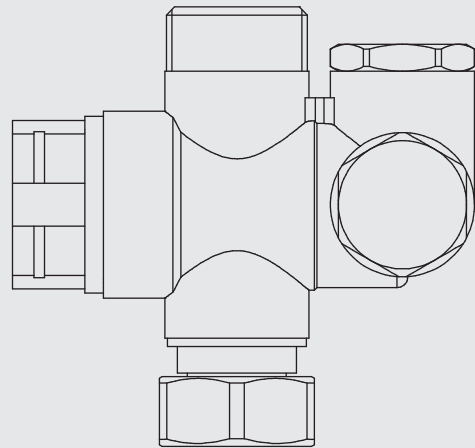
34 SATKF0034 - Solenoid valve actuator



38 SATKF0038 - Pressure gauge

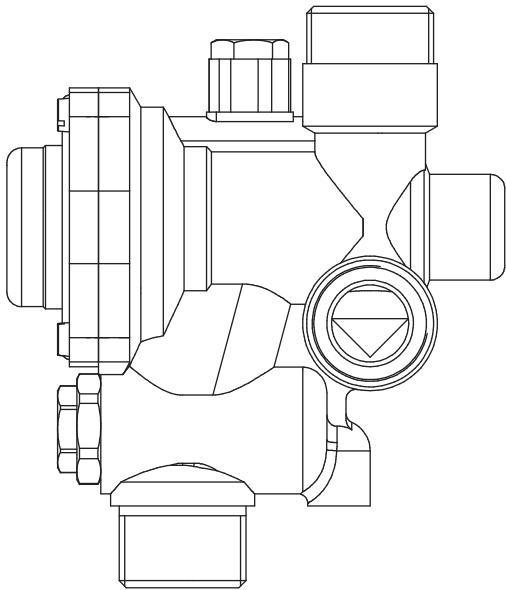


40 SATKF2040 - Control valve cartridge for SATK32

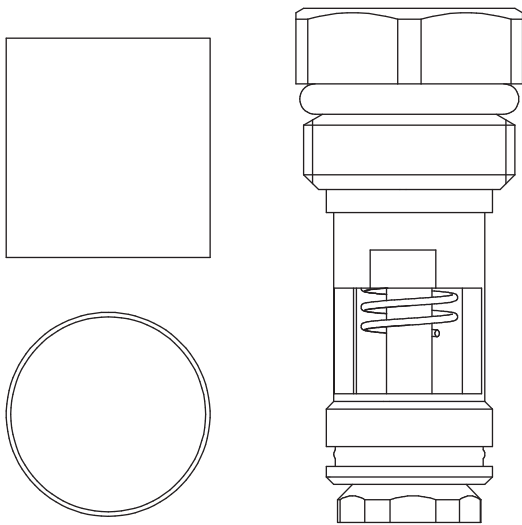


41 SATKF2041 - Complete control valve for SATK22 DHW & SATK32

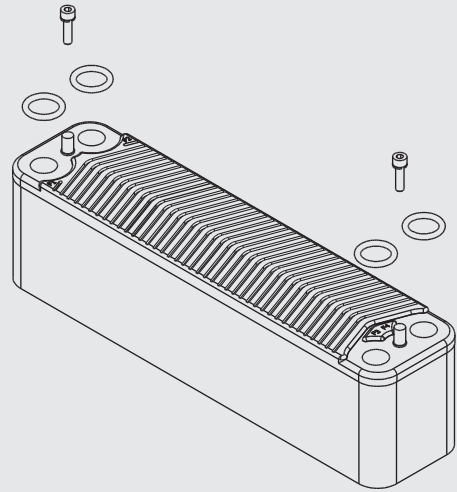
SATK HIUs Replacement Component Guide



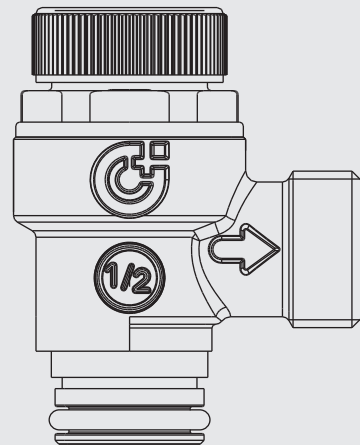
44 SATKF2044 - Differential pressure control valve for SATK22 & SATK32



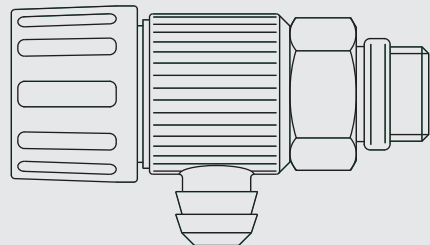
45 SATKF2045 - DHW turbine bypass cartridge + strainer for SATK22 & SATK32



46 SATKF2046 - 60 kW Heat exchanger (36 plates - DHW circuit)

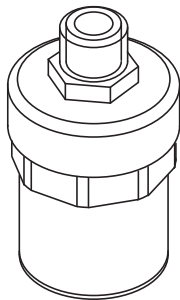


50 A312439 CST - Safety relief valve

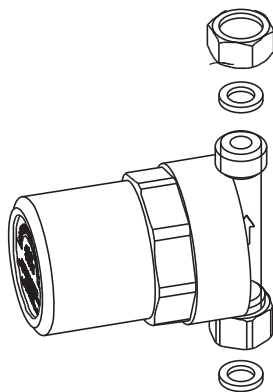


52 337221 - Air vent/drain cock

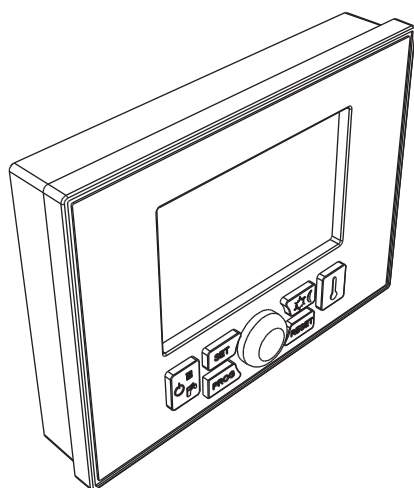
SATK HIUs Replacement Component Guide



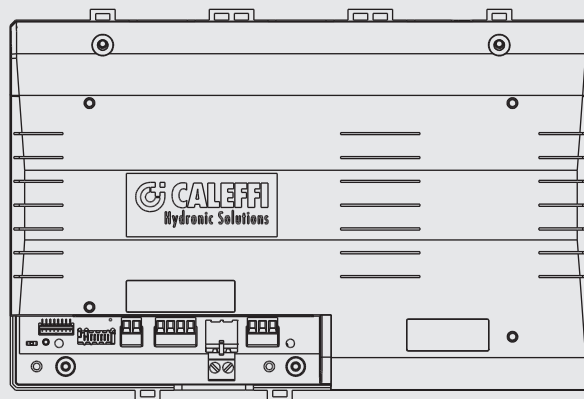
130 525041 CST - Mechanical shock arrester



131 525131 - Mechanical shock arrester



200 SATKF2000 - Remote user interface for SATK22 & SATK 32



- 201 SATKF2201 - Control board (internal) for SATK2210
- 202 SATKF2202 - Control board (internal) for SATK2220
- 203 SATKF2203 - Control board (internal) for SATK2230 & SATK2240
- 301 SATKF2301 - Control board (internal) for SATK3210

SATK HIUs Replacement Component Guide

Notes:

Altecnic Ltd Mustang Drive, Stafford, Staffordshire ST16 1GW

T: +44 (0)1785 218200 E: sales@altecnic.co.uk

Registered in England No: 2095101

altecnic.co.uk

AL ??? 07-02-19

E & O.E

© Altecnic Limited. 2019

ALTECNIC™

altecnic
Caleffi group