

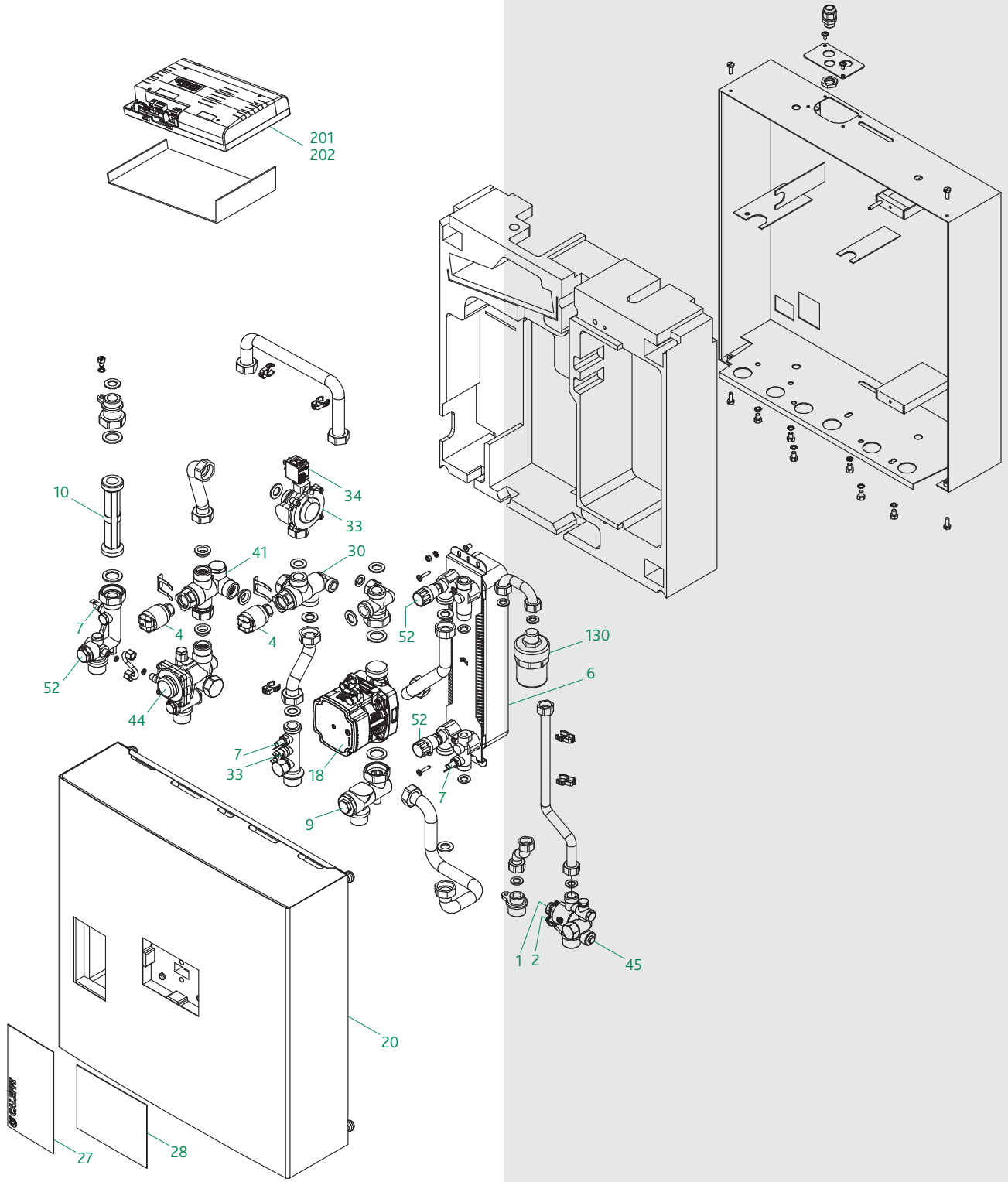
SATK22 & SATK32 HIUs



replacement component guide

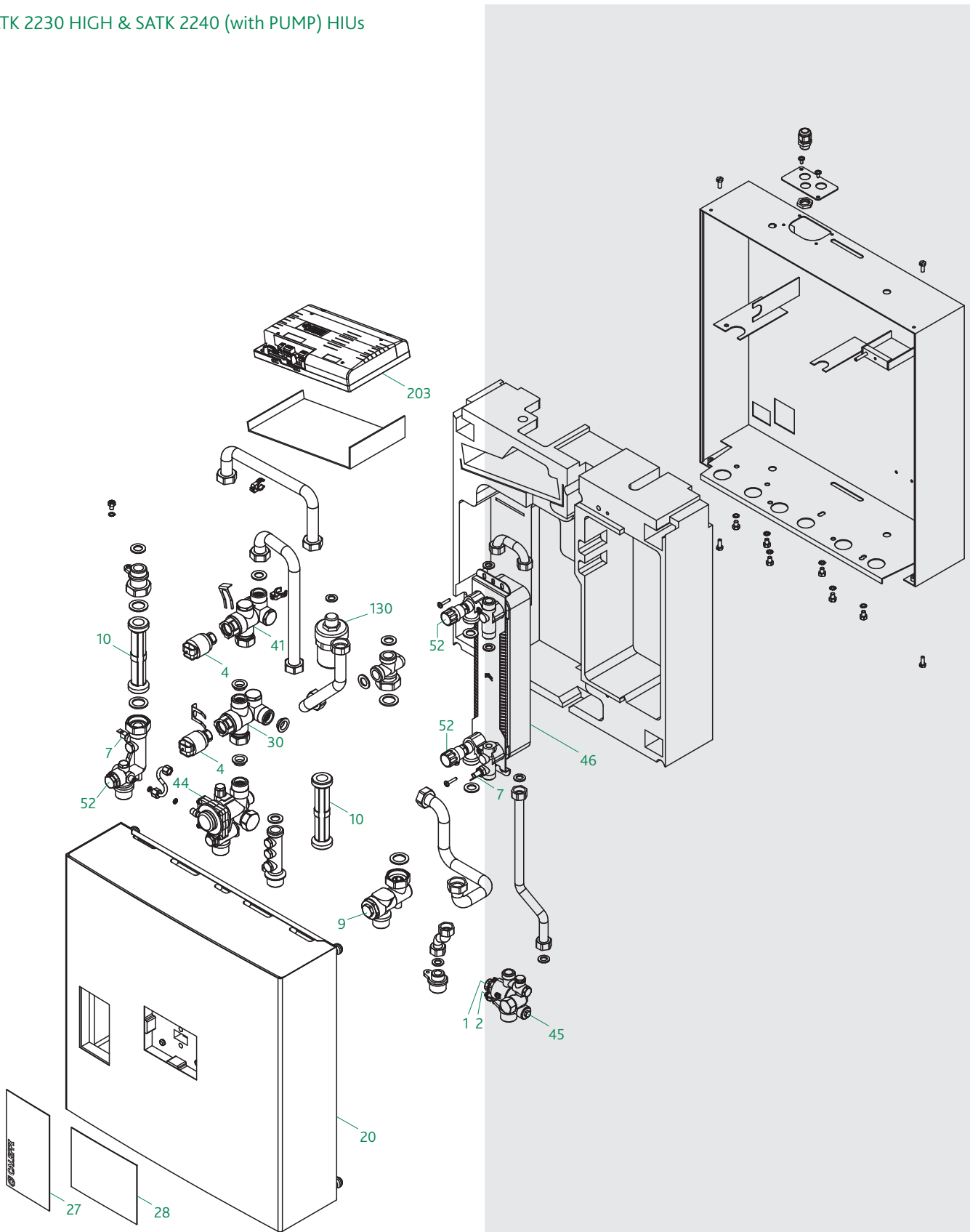
SATK HIUs Replacement Component Guide

SATK 2210LOW & SATK 2220 MEDIUM HIUs



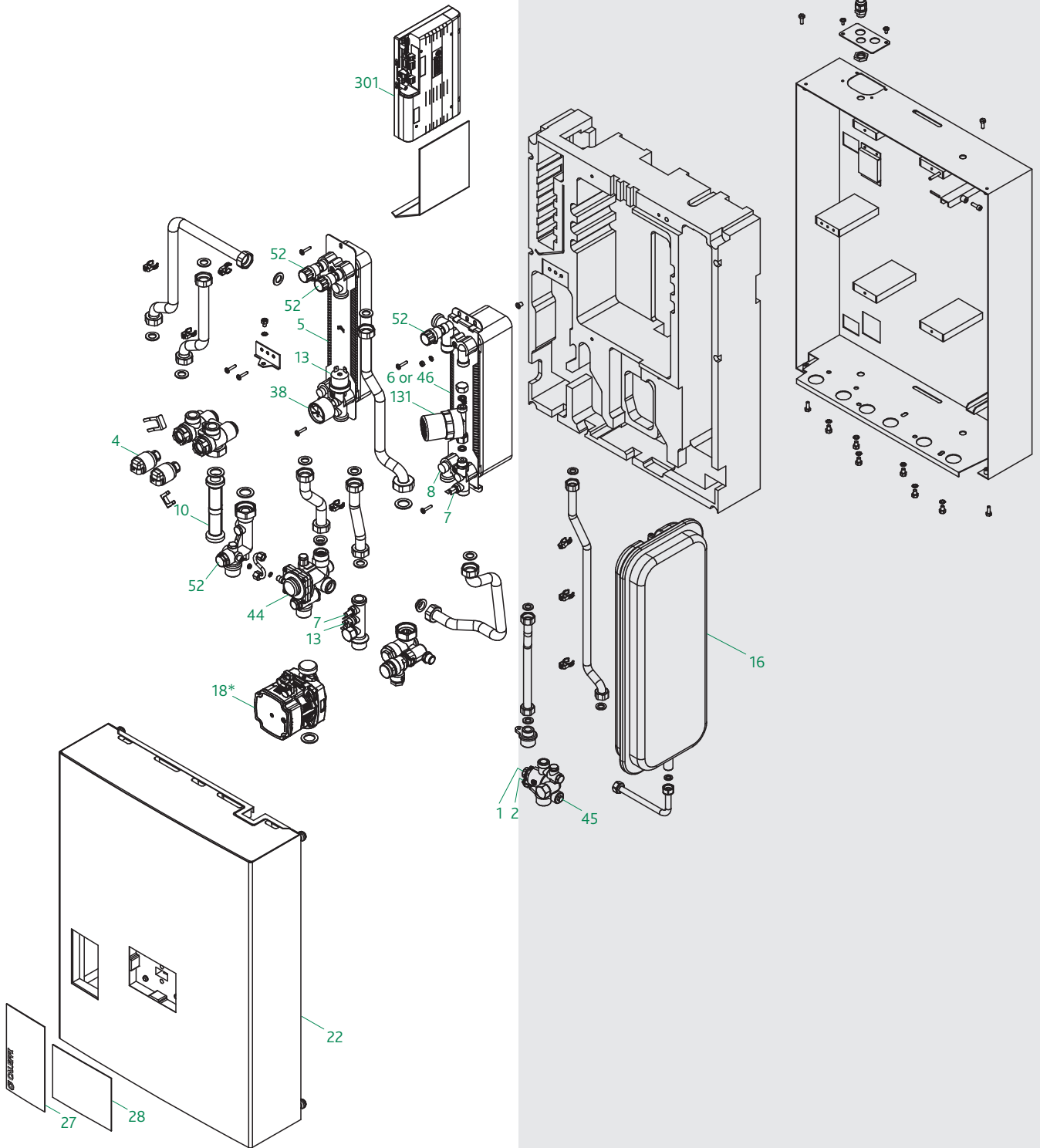
SATK HIUs Replacement Component Guide

SATK 2230 HIGH & SATK 2240 (with PUMP) HIUs



SATK HIUs Replacement Component Guide

SATK 32103 50 kW & SATK 32105 75 kW HIUs



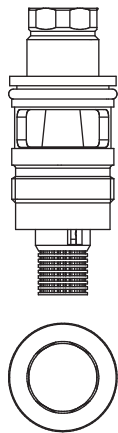
SATK HIUs Replacement Component Guide

Components

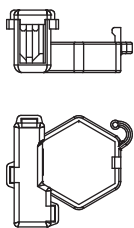
Item	Spares Code	Component
1	SATKF0001	Turbine transducer
2	SATKF0002	Turbine sensor
4	SATKF0004	Stepper motor kit (actuator + clip)
5	SATKF2005	15 kW plate heat exchanger
6	SATKF2006	50kW plate heat exchange
7	SATF0007	Temperature thermister heating
8	SATKF0008	Secondary strainer mesh
9	SATKF2008	Primary strainer mesh
10	SATKF0010	Heat meter spool piece
13	SATF0013	Pressure switch
16	SATKF2016	Expansion vessel
18	SATKF0018	UPM3 15-70 pump for SATK22 & 32
20	SATKF2020	EPP cover for SATK22
22	SATKF2022	EPP cover for SATK32
26	SATKF0026	'O' ring kit for heat exchanger
27	R0000627	Cover for heat meter
28	R0000628	Cover for remote user interface
30	SATKF2030	Complete mixing valve for SATK2210 & SATK2220
31	SATKF2031	Complete heating control valve for SATK2230 & SATK2240
33	SATKF0033	Thermal safety relief valve & actuator
34	SATKF0034	Solenoid valve (actuator)
38	SATKF0038	Pressure gauge
40	SATKF2040	Control valve cartridge
41	SATK2041	Complete control valve
44	SATK2044	Differential pressure control valve for SATK22 & SATK32
45	SATK2045	DHW turbine bypass cartridge & stariner for SATK22 & SATK32

Item	Spares Code	Component
46	SATKF2046	60 kW plate heat exchange
50	A312439 CST	Safety relief valve
52	337221	Air vent/draining cock
130	525041 CST	Mechanical shock arrester SATK22
131	525131	Mechanical shock arrester
200	SATK2000	Remote user interface for SATK22 & SATK32
201	SATKF2201	Control board (internal) for SATK2210
202	SATKF2202	Control board (internal) for SATK2220
204	SATKF2203	Control board (internal) for SATK2230 & SATK2240
301	SATKF2301	Control board (internal) for SATK32

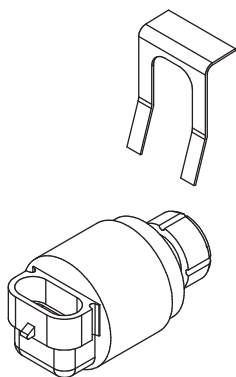
SATK HIUs Replacement Component Guide



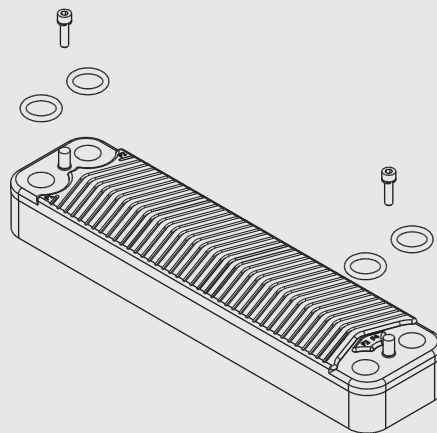
1 SATKF0001 - Turbine



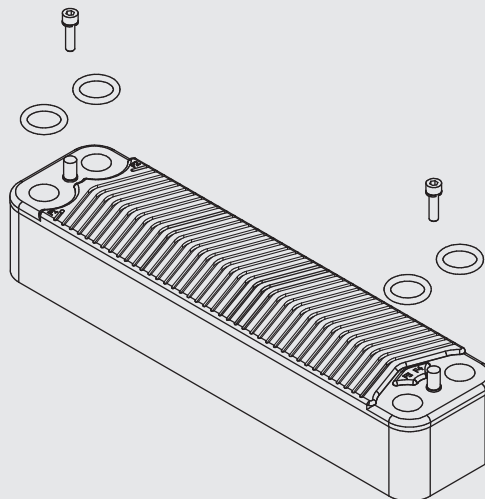
2 SATKF0002 - Turbine sensor



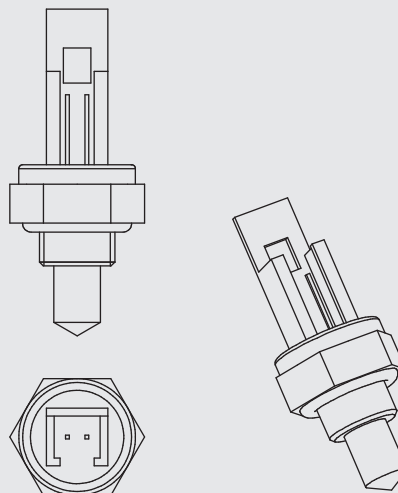
4 SATKF0004 - Stepper motor kit actuator and clip



5 SATKF2005 - 15 kW Heat exchanger (14 plates - heating circuit)

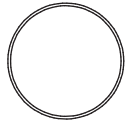
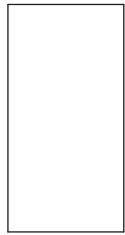


6 SATKF2006 - 50 kW Heat exchanger (22 plates - DHW circuit)

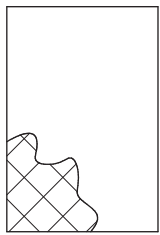
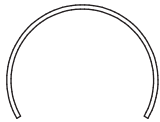


7 SATKF0007 - Temperature probe

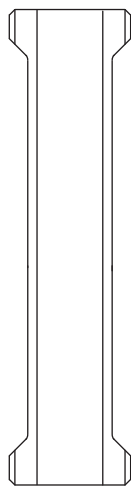
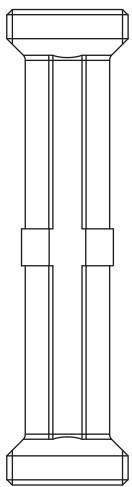
SATK HIUs Replacement Component Guide



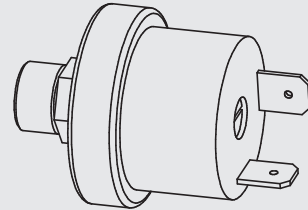
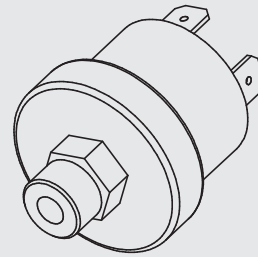
8 SATKF0008 - Secondary strainer mesh



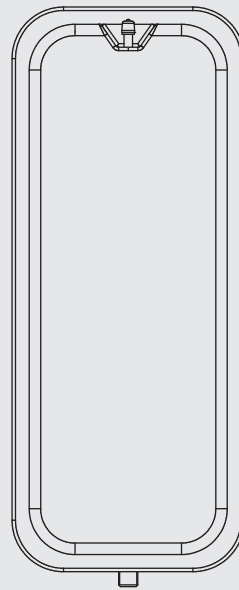
9 SATKF2008 - Primary strainer mesh



10 SATKF0010 - Heat meter spool

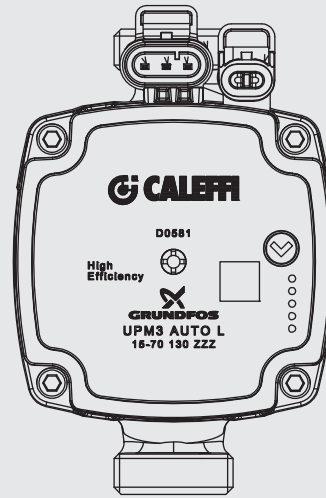
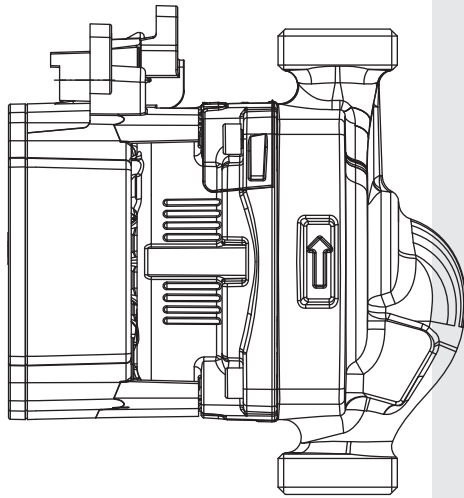


13 SATKF0013 - Pressure switch

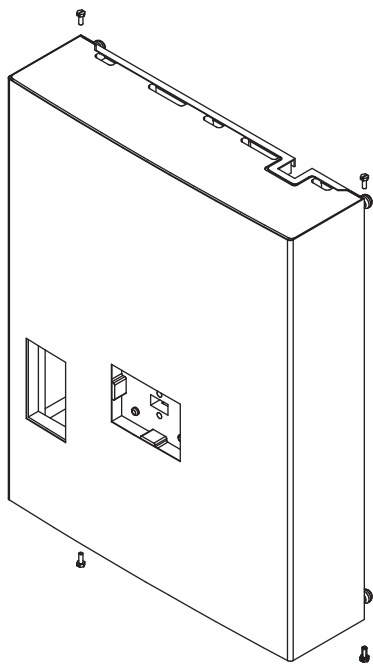


16 SATKF2016 - Expansion vessel

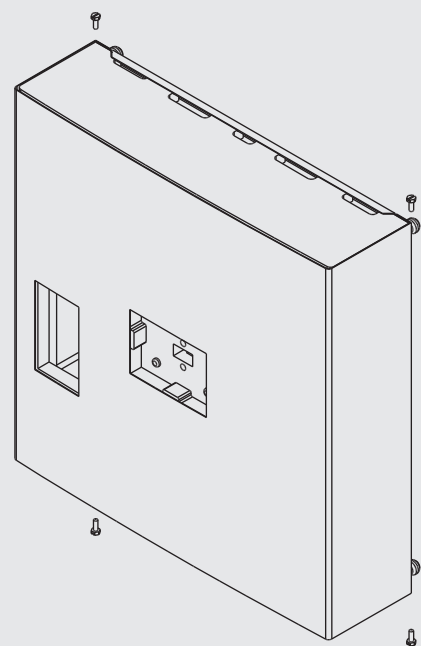
SATK HIUs Replacement Component Guide



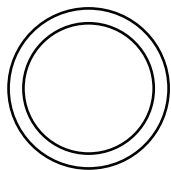
18 SATKF0018 - UPM3 15-70 AUTO L Pump
for SATK22 & SATK32



20 SATKF2020 - EPP cover for
indirect SATK22 HIUs



22 SATKF2022 - EPP cover for
direct SATK32 HIUs

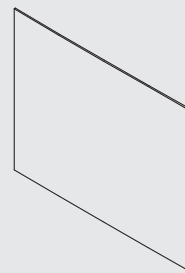


TYPE R15	
MATERIAL EP 856	
COLOUR BLACK	
Ø SECTION	3.6
Ø INTERNAL	18.3
Ø EXTERNAL	25.5
HARDNESS SH	83

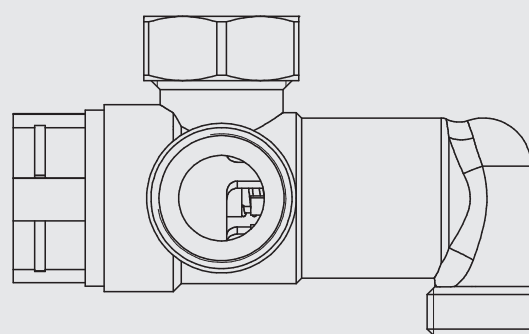
26 SATKF0026 - 'O' ring for heat exchanger



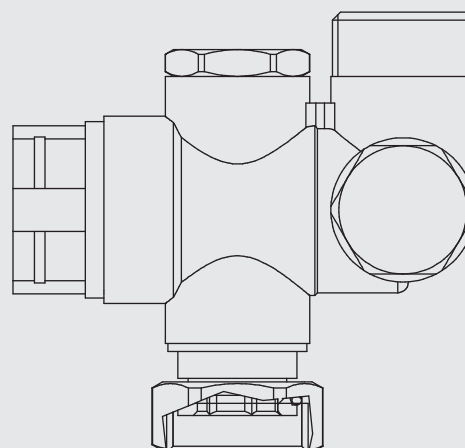
27 R0000627 - Cover for heat meter



28 R0000628 - Cover for remote user interface

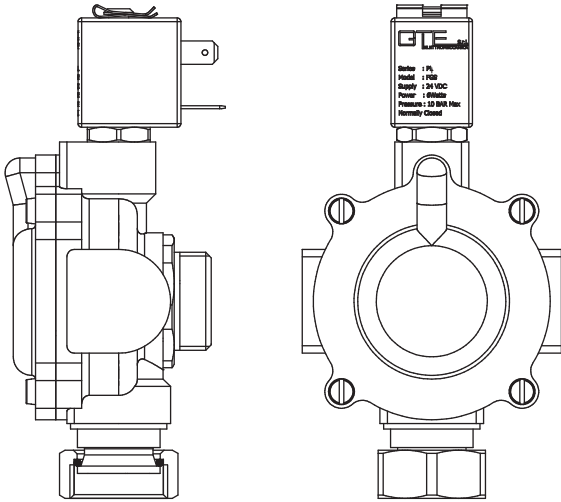


30 SATKF2030 - Complete mixing valve for SATK2210 & SATK2220

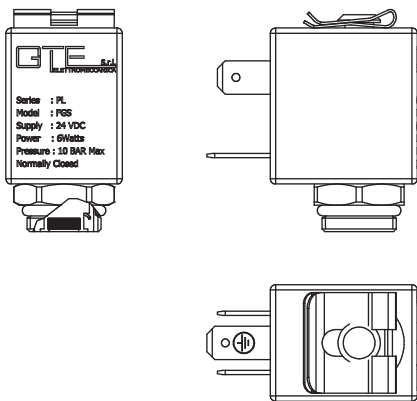


31 SATKF2031 - Complete heating control valve for SATK2230 & SATK2240

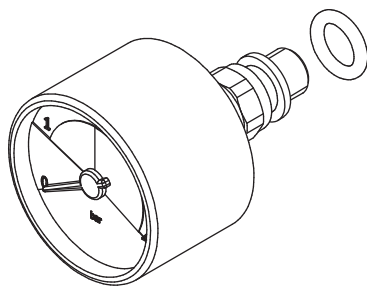
SATK HIUs Replacement Component Guide



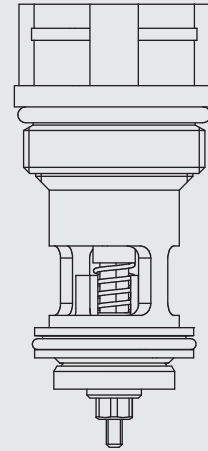
33 SATKF0033 - Thermal safety relief valve & actuator



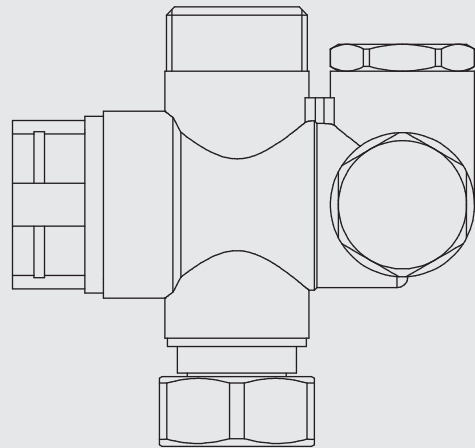
34 SATKF0034 - Solenoid valve actuator



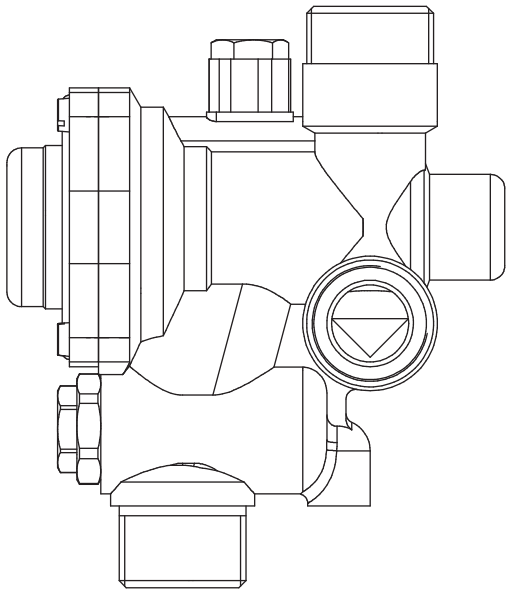
38 SATKF0038 - Pressure gauge



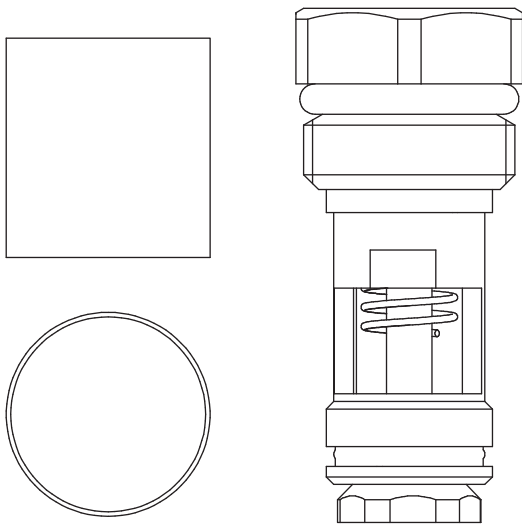
40 SATKF2040 - Control valve cartridge for SATK32



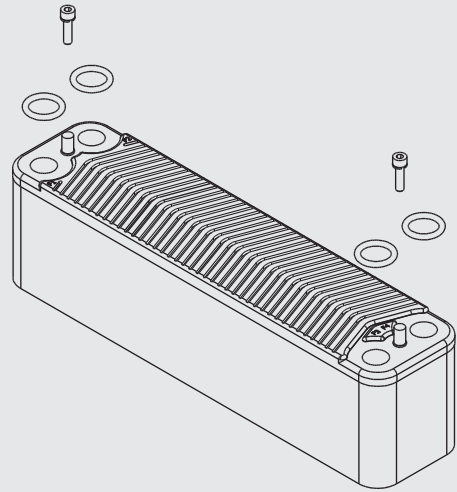
41 SATKF2041 - Complete control valve for SATK32



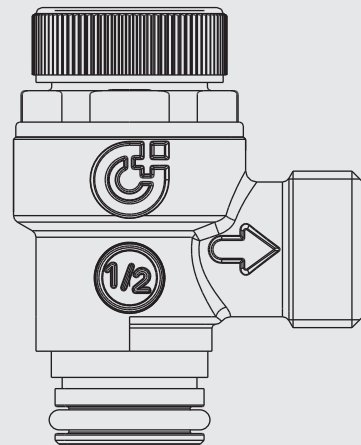
44 SATKF2044 - Differential pressure control valve for SATK22 & SATK32



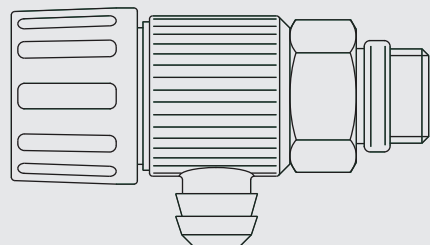
45 SATKF2045 - DHW turbine bypass cartridge + strainer for SATK22 & SATK32



46 SATKF2046 - 60 kW Heat exchanger (36 plates - DHW circuit)

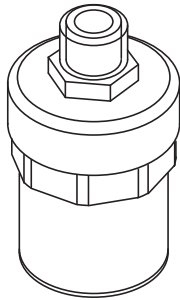


50 A312439 CST - Safety relief valve

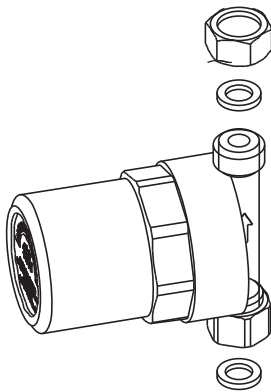


52 337221 - Air vent/drain cock

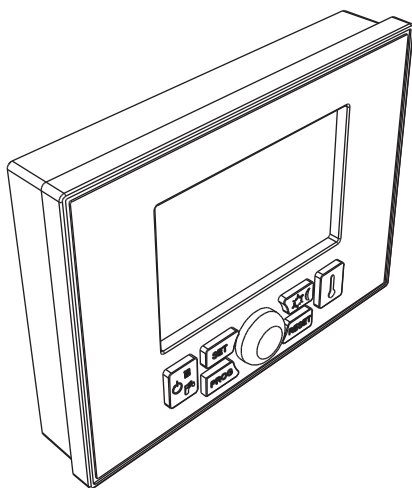
SATK HIUs Replacement Component Guide



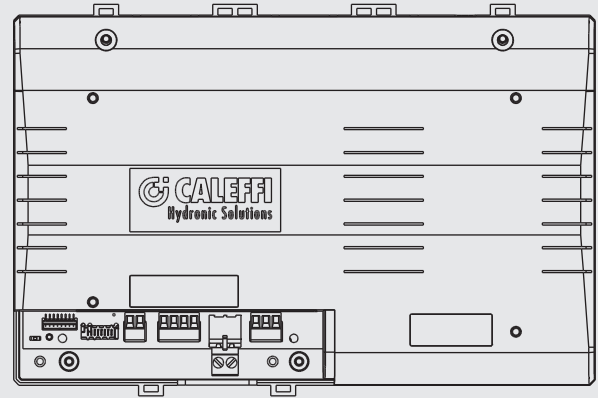
130 525041 CST - Mechanical shock arrester



131 525131 - Mechanical shock arrester



200 SATKF2000 - Remote user interface for SATK22 & SATK 32



SATK HIUs Replacement Component Guide

Notes:

© Patents & Design Altecnic 2021

Altecnic Ltd retains all rights (including patents, designs and copyrights, trademarks and any other intellectual property rights) in relation to all information provided on or via the website, brochures or any other documents, including all texts, graphics and logos, contained on the website, in brochures or in any other documents published in the name of or on behalf of Altecnic Ltd in any form, without prior written consent of Altecnic Ltd.

Altecnic Ltd Mustang Drive, Stafford, Staffordshire ST16 1GW

T: +44 (0)1785 218200 E: sales@altecnic.co.uk

Registered in England No: 02095101

altecnic.co.uk

IOM 132 15-01-21

E & O.E

© Altecnic Limited. 2021

ALTECNIC™

altecnic
CALEFFI group