

PVRSK

Shock Arrestor & Gauge



altecnic

PVRSK Shock Arrestor & Gauge



Applications

The assembled 4-way fitting can be used as a shock arrester or expansion vessel under sinks to prevent water hammer and shock to water outlets, washing machines or dish washers.

It can also be installed adjacent to a boiler or unvented cylinder to allow for the expansion of hot water in a small system.

Design

The Altecnic PVRSK 4-way fitting is designed to allow a pressure gauge and shock arrester or expansion vessel to be easily installed into a copper tube system.

The 4-way fitting comes complete with a 0.16 litre shock arrester and a 0 to 6 bar back connection pressure gauge.

The main pipe connections are compression joints to BS EN 1254-2 for use with R250 (half hard) copper tube to BS EN 1057.

The side connections are 1/4" female to BS EN ISO 228-1.

Materials of Construction - 4-Way Fitting

Component	Material	Grade
Body	Brass	BS EN 12420 CW617N
Compression nut	Brass	BS EN 12165 CW617N
Olive	Copper	

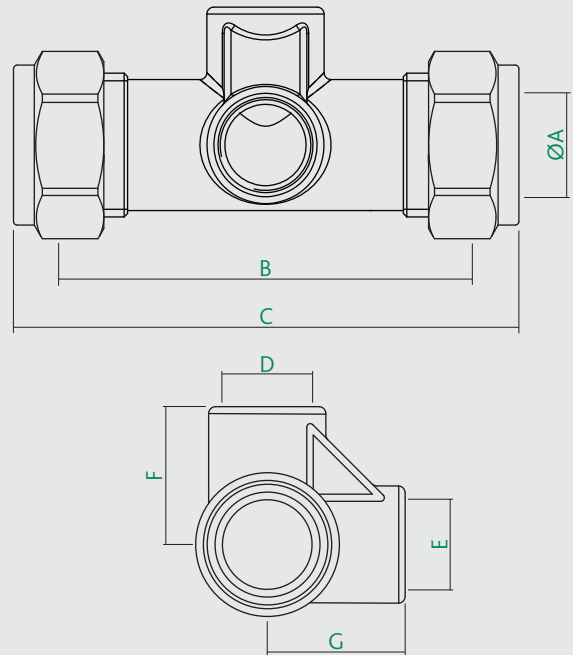
Technical Data

Maximum pressure:	6 bar
Maximum temperature:	110 °C
Medium:	Water or glycol mix
Compression joint size:	15 mm
Side connections:	G1/4

Assembly and Fitting

The unit is easy to assemble with just one threaded connection to make for the shock arrester and the pressure gauge. It is easily installed into the system, with just two compression joints to make.

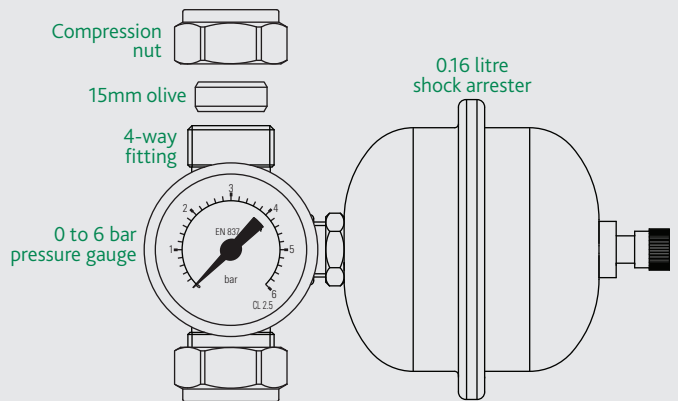
Dimensions - 4-Way Fitting



View with compression nut and olive removed

Prod Code	A	B	C	D	E	F	G
PVRSK	15	60	79	G1/4	G1/4	15	15

Components



© Patents & Design Altecnic 2020

Altecnic Ltd retains all rights (including patents, designs and copyrights, trademarks and any other intellectual property rights) in relation to all information provided on or via the website, brochures or any other documents, including all texts, graphics and logos, contained on the website, in brochures or in any other documents published in the name of or on behalf of Altecnic Ltd in any form, without prior written consent of Altecnic Ltd.

Altecnic Ltd Mustang Drive, Stafford, Staffordshire ST16 1GW

T: +44 (0)1785 218200 E: sales@altecnic.co.uk

Registered in England No: 2095101

altecnic.co.uk

AL 369 29-10-20

E & O.E

© Altecnic Limited. 2020

ALTECNIC™

altecnic