

ALT-BVHIU03

HIU ball valve set



installation guide

altecnic

ALT-BVHIU03 HIU ball valve set

Introduction

The Altecnic ALT-BVHIU03 ball valve set No 3 is suitable for use with SATK30 heat interface units (HIUs).

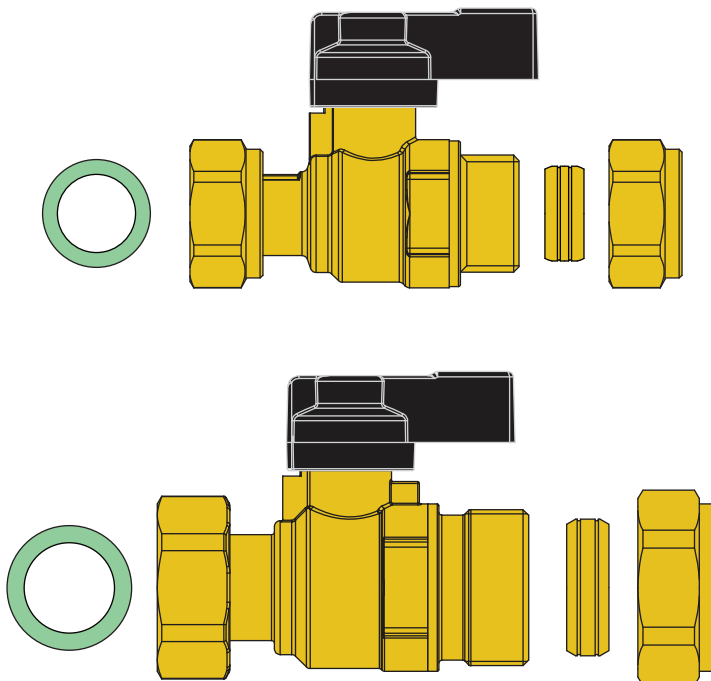
The valves fit on the flow and return outlets situated at the bottom of the unit and are intended to isolate the secondary heating and domestic hot water circuits.

Content

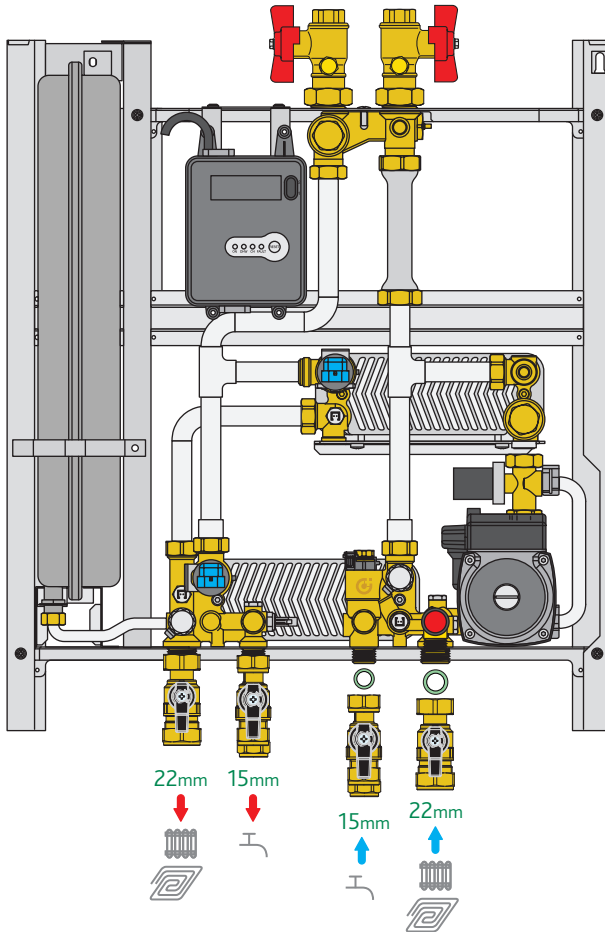
Check the components in the kit before commencing.

Item	Qty	Component
1	2	15mm x 1/2" ball valve with union end and compression joint*.
2	2	22mm x 3/4" ball valve with union end and compression joint*
3		Small component pack consisting of;
	2	1/2" seal for union joint
	2	3/4" seal for union joint

* Compression ends complying with BS EN 1254-2 for use with R250 (half hard) copper tube.



Installation



Fit the ball valves to the HIU as shown, noting the duty of each connection.

When fitting the valves ensure the green sealing washers are fitted when making the union joints.

Tighten the union joints to make water tight seals.

Connect the secondary circuit using the compression joints, tighten to make water tight joints.

Follow the procedure in the Installation, Operation and Maintenance Instructions, for the particular HIU, to fill and pressurise the secondary circuits.

Available Accessories for HIUs

Filling Loop Pack

Two isolating ball valves, one containing a double check valve, and flexible hose are available from Altecnic, product code ALT-HIUFLP.

'H' Flushing Bypass Valve

An 'H' pattern flushing bypass valve to allow for easy flushing of the primary heat circuit is available from Altecnic, product code 789.

In this procedure document we have endeavoured to make the information as accurate as possible.

We cannot accept any responsibility should it be found that in any respect the information is inaccurate or incomplete or becomes so as a result of further developments or otherwise.

E & O.E

Altecnic Ltd Mustang Drive, Stafford, Staffordshire ST16 1GW

T: +44 (0)1785 218200 E: sales@altecnic.co.uk

Registered in England No: 2095101

altecnic.co.uk

IOM 049 30-07-15