

513-514

safety relief valves



altecnic

513 & 514 safety relief valves



514



513

Application

The Altecnic series 513 and 514 safety relief valve is used in large domestic and commercial hot water systems to protect the hot water cylinder and in heating systems to protect boiler and other components.

The valve is selected for the required set pressure. As the pressure rises, when the discharge pressure is reached the valve opens and discharges to atmosphere, preventing the pressure within the system reaching levels which would be dangerous for the boiler, hot water storage cylinder and any personnel in the adjacent vicinity.

Construction Details

Component	Material	Grade
Body - 1/2" & 3/4"	Brass	BS EN 12165 CW617N
Body - 1" & 1 1/4"	Brass	BS EN 12165 CW617N
Cover - 1/2" & 3/4"	PA 6 G 30 Polymer	
Cover - 1" & 1 1/4"	Brass	BS EN 12165 CW617N
Stem	Brass	BS EN 12164 CW614N
Diaphragm	EPDM	
Spring	Stainless steel	
Control Knob - 1/2" & 3/4"	ABS Polymer	
Control Knob - 1" & 1 1/4"	PA 6 G 20 Polymer	

Product Code	Set Pressure bar	Discharge Pressure bar	Re-Seating Pressure bar	Discharge Flowrate kg/hr	Max Boiler Rating kW
--------------	------------------	------------------------	-------------------------	--------------------------	----------------------

Series 513 Range

513425	2.5	3.0	2.0	165.7	96.2
513430	3	3.6	2.4	189.3	110.0
513460	6	7.2	4.8	331.3	192.5
513470	7	8.4	5.6	378.6	220.1
513480	8	9.6	6.4	429.8	249.8
513625	2.5	3.0	2.0		
513630	3	3.6	2.4		
513660	6	7.2	4.8		
513670	7	8.4	5.6		
513680	8	8.4	5.6		
513725	2.5	3.0	2.0		
513730	3	3.6	2.4		
513760	6	7.2	4.8		
513770	7	8.4	5.6		
513780	8	8.4	5.6		

Series 514 Range

514525	2.5	3.0	2.0	165.6	96.2
514430CST	3	3.6	2.4	189.3	110.0
514460	6	7.2	4.8	331.3	192.5
514470	7	8.4	5.6	378.6	220.1
514480	8	9.6	6.4	429.8	249.8

E & O.E

Altecnic Ltd Mustang Drive, Stafford, Staffordshire ST16 1GW

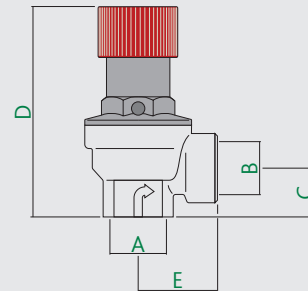
T: +44 (0)1785 218200 E: sales@altecnic.co.uk

Registered in England No: 2095101

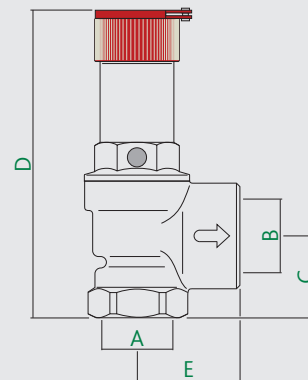
altecnic.co.uk

AL 008 22-06-11

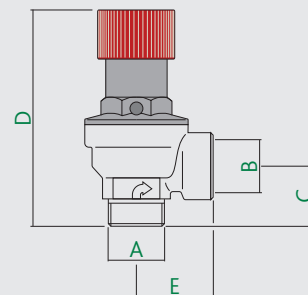
Dimensions



Prod Code	A	B	C	D	E	kg
5134	G1/2	G1/2	19	79	30	0.18



Prod Code	A	B	C	D	E	kg
5136	G1	G1 1/4	38	144	48	0.84
5137	G1 1/4	G1 1/2	44	187	58	20.7



Prod Code	A	B	C	D	E	kg
5144	G1/2B	G1/2	23	82	30	0.18

Technical Data

Medium:	water and air
Temperature range:	5 to 110°C
Set pressure range:	2.5 to 8 bar
Max. static pressure:	10 bar
PED category:	IV

CE Mark

Series 513 & 514 safety relief valves meet the requirements of the European Directive 97/23/CE for pressurised equipment often referred to PED.

They are therefore classified in Category IV and granted the CE Mark.