

140 Series

twin disc check valve



140 Series twin disc check valve



Introduction

The Altecnic twin disc wafer check valves are suitable for a wide range of HVAC applications on both heating and chilled water systems.

The valves close automatically to prevent flow reversal.

Non slam design attributable to spring assisted closure and resilient body seat.

EPDM elastomeric body seat improves disc sealing and isolation.

Design

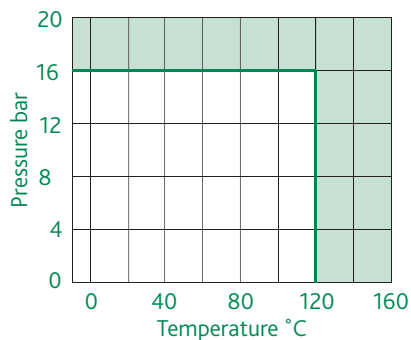
- Designed to fit between PN16 flanges to BS EN 1092-2.
- Face to face dimensions conform to BS EN558 series 50.
- The seat and seal material is EPDM suitable for temperatures up to 120°C.
- Compact design for ease of installation.

Materials

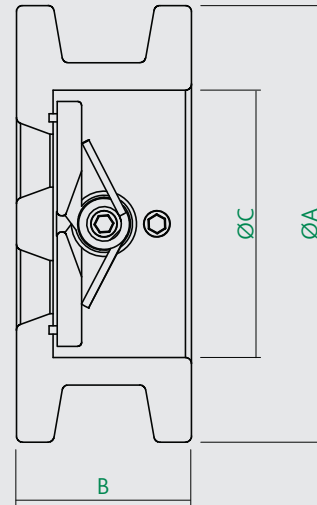
Component	Material	Grade
Body:	Cast Iron	BS EN 1561 EN-JL1040
Disc:	Stainless steel	AISI 304
Seat:	EPDM	
Hinge pin:	Stainless steel	AISI 420
Stop pin:	Stainless steel	AISI 420
Pin retainer:	Stainless steel	AISI 304
Spring:	Stainless steel	AISI 304
Washer:	PTFE	
Gasket:	EPDM	

Pressure Temperature Rating

DN50 to DN600 PN16 from -10°C to 120°C



Dimensions



Size	A	B	C	kg
DN50	106	54	66	.81
DN65	126	54	78	2.4
DN80	141	57	90	3.2
DN100	161	64	115	4.8
DN125	191	70	141	7.3
DN150	217	76	170	10
DN200	272	95	210	14.2
DN250	327	108	273	23.6
DN300	382	143	324	37.5
DN350	442	184	356	62
DN400	494	191	406	74
DN450	554	203	457	100
DN500	616	213	508	155
DN600	733	222	600	215

Flow Direction

The valve must be installed in horizontal pipework or vertical pipework with flow in the upwards direction.

The valves are uni-directional and the flow must be in the same direction as that indicated by the flow direction arrow on the body.

Altecnic Ltd Mustang Drive, Stafford, Staffordshire ST16 1GW

T: +44 (0)1785 218200 E: sales@altecnic.co.uk

Registered in England No: 2095101

altecnic.co.uk

AL 328 30-01-19

E & O.E

© Altecnic Limited. 2018

ALTECNIC™

altecnic
Caleffi group