

124

ball valve with test port



altecnic

124 ball valve with test port



Application

The Altecnic 124 ball valve with female threaded ends, red butterfly lever and test port is the ideal isolation valve, for use with heat meters and similar equipment.

They are the ideal valve for isolating the temperature probe of heat meters, the information used to calculate the energy efficiency of apartments.

The valves can also be used to isolate the heat meter for any future maintenance.

Design

The Altecnic 124 brass ball valves are butterfly lever operated through 90°, with bi-directional flow.

Hard chrome plated ball for increased wear resistance.

Compact design, with PTFE body seats for reliable isolation

The valves are designed for high flow rates with minimum pressure drops.

Supplied with female parallel threaded ends complying with BS EN ISO 228-1

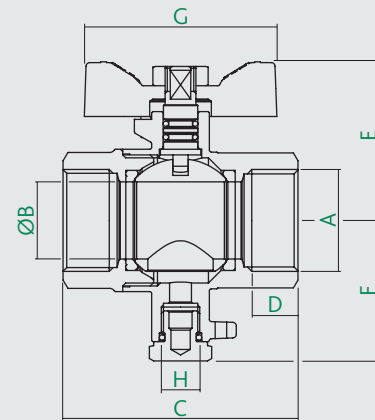
The red butterfly lever provides visual indication of a hot service.

Construction Details

Component	Material	Grade
Body	Brass - nickel plated	BS EN 12165 CW617N
End connection	Brass - nickel plated	BS EN 12165 CW617N
Ball seat	PTFE	
Ball	Brass - chrome plated	BS EN 12164 CW617N
Stem	Brass - nickel plated	BS EN 12164 CW617N
Stem retaining ring	Brass - nickel plated	BS EN 12164 CW614N
Gland packing	PTFE	

Ref No	Size	Connections
124-7002 CST	½"	f x f screwed iron
124-1019 CST	¾"	f x f screwed iron
124-7001 CST	1"	f x f screwed iron

Dimensions



Size	A	B	C	D	E	F	G	H
½"	G½	15	50.5	10.5	37.5	36.5	50	M10 x1
¾"	G¾	20	61	12	41	36.5	50	M10 x1
1"	G1	25						

Technical Specification

Conforms to: BS EN 13959

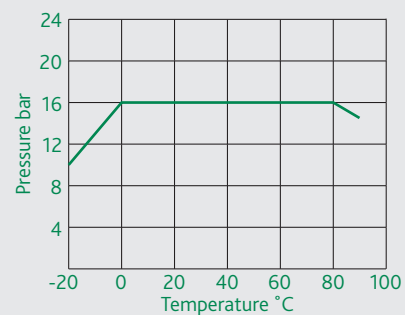
Max. Temperature: 90°C

Max. Pressure: 16 bar

Weight: Size ½" 0.20 kg
Size ¾" 0.29 kg
Size 1"

PED Directive classification Group 2 Liquids SEP

Pressure - Temperature Diagram



Installation

The valves are easy to install with just two joints to make.

© Patents & Design Altecnic 2021

Altecnic Ltd retains all rights (including patents, designs and copyrights, trademarks and any other intellectual property rights) in relation to all information provided on or via the website, brochures or any other documents, including all texts, graphics and logos, contained on the website, in brochures or in any other documents published in the name of or on behalf of Altecnic Ltd in any form, without prior written consent of Altecnic Ltd.

Altecnic Ltd Mustang Drive, Stafford, Staffordshire ST16 1GW

T: +44 (0)1785 218200 E: sales@altecnic.co.uk

Registered in England No: 02095101

altecnic.co.uk

AL 402 24-01-21

E & O.E

© Altecnic Limited. 2021

ALTECNIC™