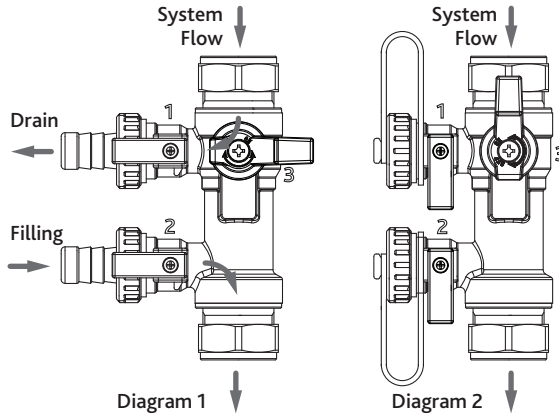


## Lever Positions



## Installation

Install the Fill and Flush Valve in a location in the system with access to the fill and drain connections and close to a suitable drain using the two compression joints.

## Fill and Flush the System

Connect the water supply to the filling connection and a hose to the drain connection - see diagram 1.

Turn valve 3 to direct the flow to drain, open valves 1 & 2 and any manual air vents.

Gradually fill the system with clean water or flushing solution until all the air has been released and the system is full, then close any manual air vents

Turn valve 3 back to system flow and operate the system - see diagram 2.

Close valves 1 & 2, pressurise the system and operate the system following the specified flushing procedure.

© Patents & Design Altecnic 2020

Altecnic Ltd retains all rights (including patents, designs and copyrights, trademarks and any other intellectual property rights) in relation to all information provided on or via the website, brochures or any other documents, including all texts, graphics and logos, contained on the website, in brochures or in any other documents published in the name of or on behalf of Altecnic Ltd in any form, without prior written consent of Altecnic Ltd.

**Altecnic Ltd** Mustang Drive, Stafford, Staffordshire ST16 1GW

T: +44 (0)1785 218200 E: sales@altecnic.co.uk

Registered in England No: 2095101

**altecnic.co.uk**

IOM 162 12-08-20

E & O.E

© Altecnic Limited. 2020

ALTECNIC™

## Final Fill and Start Up

Open valves 1 & 2 and any manual air vents then turn valve 3 to drain and allow the system to empty through the drain port - see diagram 1.

Fill the installation with water treatment / glycol mix until all the air has been released and the system is full, then close any manual air vents.

Turn valve 3 back to system flow and operate the system periodically releasing any trapped air - see diagram 2.

Close the drain valve 1 and pressurise the system.

Close the filling valve 2.

Fit the blank caps provided.

**altecnic**