

Radiator Valves

For Bathrooms & Shower Rooms



altecnic.co.uk

altecnic
CALEFFI group

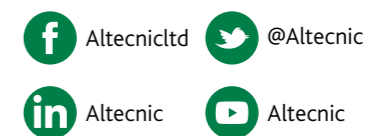
altecnic
CALEFFI group

Hydronic
solutions for the
plumbing and
heating industry



Contents

- 4 Modern Radiator Valves
- 5 Traditional Cross Head Radiator Valves
- 6 Square Radiator Valves
- 6 Ornate Radiator Valve Set
- 7 Eclipse Manual Radiator Valves
- 7 Dual Fuel Radiator Valves
- 9 Air Vents
- 10 Accessories
- 12 Ecocal™ Thermostatic Radiator Valves
- 13 Ecocal™ Twin Packs
- 13 Ecocal™ Accessories
- 14 SILFRA Commercial Washrooms



Altecnic Ltd, Mustang Drive, Stafford, Staffordshire ST16 1GW

General: 01785 218200

Accounts Enquiries: 01785 218203

Sales Enquiries: sales@altecnic.co.uk

altecnic.co.uk

Altecnic offer a range of radiator valves and accessories specifically for use with towel rails and radiators in bathrooms and shower rooms.

Each pair of radiator valves has a standard 15mm thread to ensure they fit with most towel rails and radiators.

Modern Radiator Valves

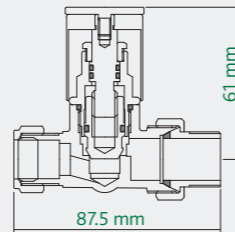
These Straight Modern Radiator Valves have a clean, modern look. Finished in chrome, they suit many décor styles.



STRAIGHT MODERN RADIATOR VALVE (PAIR)

YU-JQAL024LC
15mm x 1/2"

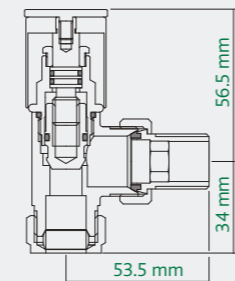
- Max working temperature: 85°C
- Max working pressure: 10 bar



ANGLED MODERN RADIATOR VALVE (PAIR)

YU-JQAL025LC
15mm x 1/2"

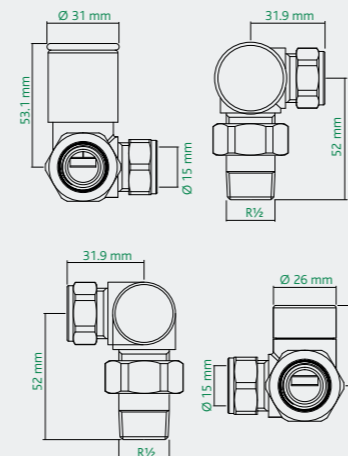
- Max working temperature: 85°C
- Max working pressure: 10 bar



MODERN 90° CORNER RADIATOR VALVE (PAIR)

YU-JQAL029LC
15mm x 1/2"

- Max working temperature: 85°C
- Max working pressure: 10 bar



Traditional Cross Head Radiator Valves

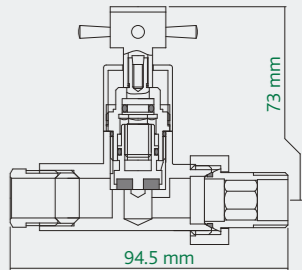
Featuring a traditional cross head design combined with a modern chrome finish.



STRAIGHT TRADITIONAL, CROSS HEAD RADIATOR VALVE (PAIR)

YU-JQAL026LC
15mm x 1/2"

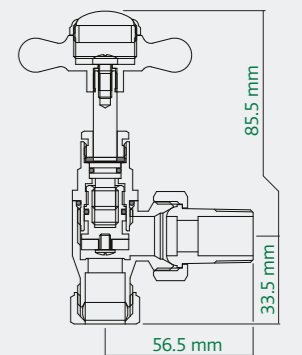
- Max working temperature: 85°C
- Max working pressure: 10 bar



ANGLED TRADITIONAL, CROSS HEAD RADIATOR VALVE (PAIR)

YU-JQAL028LC
15mm x 1/2"

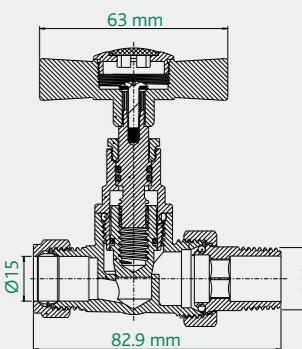
- Max working temperature: 85°C
- Max working pressure: 10 bar



STRAIGHT TRADITIONAL CROSS HEAD RADIATOR VALVE (PAIR)

YU-JQAL030LC
15mm x 1/2"

- Max working temperature: 85°C
- Max working pressure: 10 bar



Square Radiator Valves

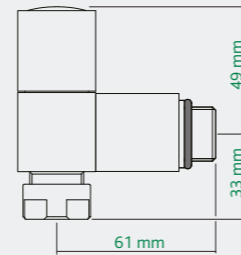
Crisp, clean lines. This pair of radiator valves add a modern touch to any bathroom or shower room.



STRAIGHT SQUARE RADIATOR VALVE

105-3002
15mm x 1/2"

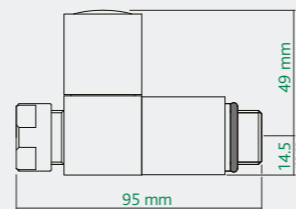
- Max working temperature: 100°C
- Max working pressure: 10 bar



ANGLED SQUARE RADIATOR VALVE

105-3003
15mm x 1/2"

- Max working temperature: 100°C
- Max working pressure: 10 bar



Ornate Radiator Valves

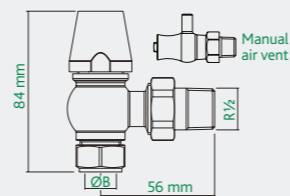
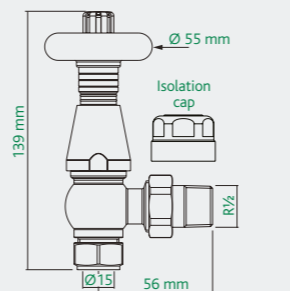
The Classic thermostatic radiator valve, lockshield valve and radiator vent are of durable construction giving dependable performance for building services and domestic applications. The chrome finish of the valves is ideal for designer interiors, period decors or restoration projects.



ORNATE RADIATOR VALVE SET

YU-JQAL031LC

- Max working temperature: 85°C
- Max working pressure: 10 bar
- Supplied with matching air vent



Eclipse Manual Radiator Valve with Chrome Heads

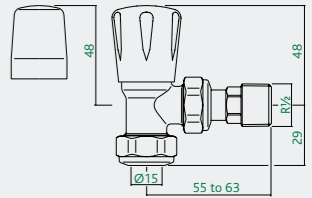
The Altecnic eclipse manual radiator valves provide manual regulation and isolation to radiators and other heat emitters on heating systems.



ANGLED ECLIPSE HIGH CHROME RADIATOR VALVE

CA-410425
15mm x 1/2"

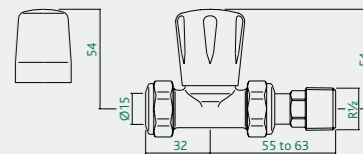
- Max working temperature: 100°C
- Max working pressure: 10 bar



STRAIGHT ECLIPSE HIGH CHROME RADIATOR VALVE

CA-406425
15mm x 1/2"

- Max working temperature: 100°C
- Max working pressure: 10 bar



Dual Fuel

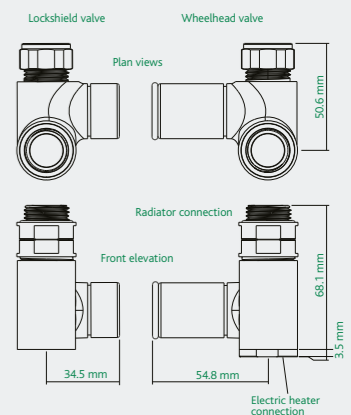


DUAL FUEL CORNER VALVE

The wheelhead valve has the facility to allow an electric heater to pass through the valve into the vertical leg of a towel rail. When this is connected to an electricity supply it allows the towel rail to be heated when the central heating boiler is switched off, for example in Summer.

105-3001

- Max working temperature: 100°C
- Max working pressure: 10 bar

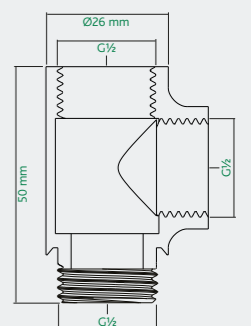


DUAL FUEL TEE PIECE

Suitable for use with dual fuel compatible radiators. Designed for use in conjunction with a heating element and radiator valves.

106-3002

- Max working temperature: 100°C
- Max working pressure: 10 bar





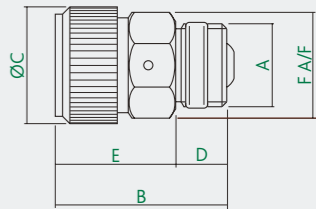
Hygroscopic Air Vents

The Altecnic hygroscopic automatic air vent can manually or automatically remove any air trapped within a radiator or heat emitter both during filling the system and in normal operation.



HYGROSCOPIC AIR VENT

- 508041 - 1/2"
- 508011 - 1/8" Straight
- 508021 - 1/4"
- 508031 - 3/8"M



	508041	508011	508021	508031
A	G½B	G½B	G½B	G¾B
B	33	30	30	30.5
C	18	18	18	18
D	10	10	10	10.5
E	20	20	20	20
F	17	15	15	17

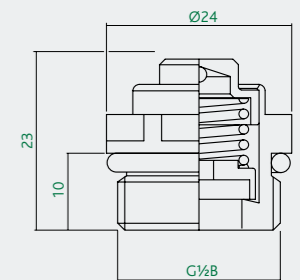
Automatic Air Vents

The Altecnic 118-1001 CST automatic air vent is factory set to relieve accumulated air up to 3 bar. The valve is intended for use as a mechanical air release device for towel warmers and radiators.



CHROME AUTO AIR VENT

- 118-1001 CST - 1/2"



Accessories



RADIATOR EXTENSION PIECES

For use when changing to a different sized radiator. Use the Cutting radiator extension instead of changing the original pipework. Can be cut to size.

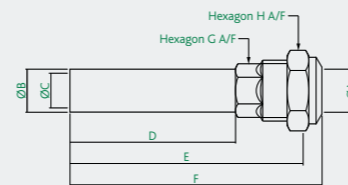
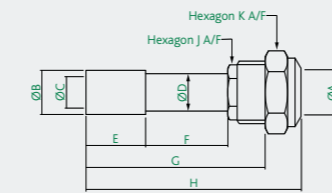
- 106-1010 - 1/2" x 10mm
- 106-1015 - 1/2" x 15mm
- 106-1020 - 1/2" x 20mm
- 106-1025 - 1/2" x 25mm
- 106-1030 - 1/2" x 30mm
- 106-1040 - 1/2" x 40mm
- 106-1060 - 1/2" x 60mm
- 106-1080 - 1/2" x 80mm
- 106-1100 - 1/2" x 100mm

Self cutting

- 106-1009 - 15mm x 100mm
- 106-1012 - 15mm x 60mm

Telescopic

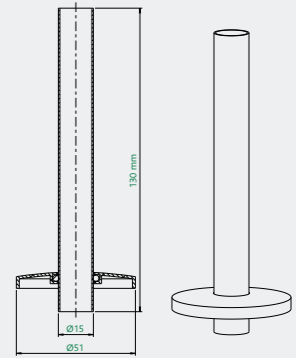
- 106-1013 - 15mm x 60mm
- 106-1014 - 15mm x 80mm



CHROME PIPE COVER SET

Pipe cover set for covering radiator pipes and bases.

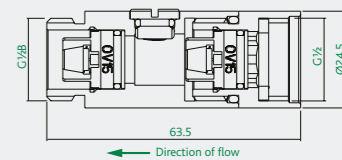
- 105-3101
- 15mm



CHROME DOUBLE CHECK VALVE

The Altecnic shower double check valve has a high quality chromeplated finish making it aesthetically pleasing for exposed applications in either domestic or commercial bathrooms.

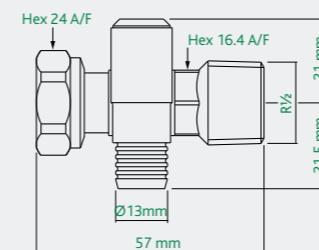
- 123-1101
- 1/2" M x F



DRAIN OFF TAIL PIECE

Used to convert a standard TRV to a drain-off valve. Enables draining of radiator or system.

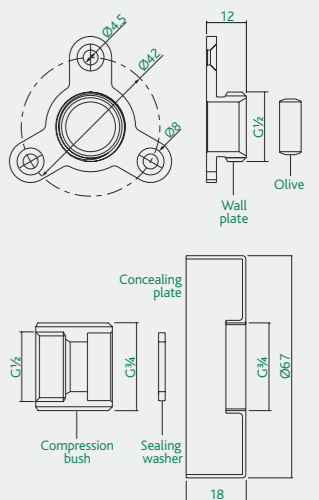
- YU-JQAL213HC
- 1/2" x 15mm



FAST FIT CONNECTION ROUND

The concealed fast fix kit is designed for surface mounting on a tiled wall or water resistant surface as part of a cavity or solid wall. The purpose is to provide a secure fixing for a bar shower and to provide hot and cold water supplies to the shower. The water connection for each bracket is designed for concealed pipework hidden in a cavity or solid wall.

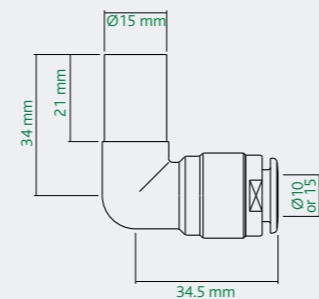
- 606-1001



PUSH FIT STEM ELBOWS

The stem elbows are push fit for the connection of plastic and copper pipe. Perfect for confined spaces.

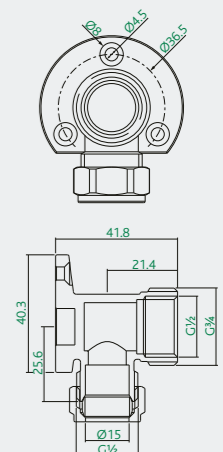
- 459004 - 15mm x 10mm
- 106-2001 - 15mm x 15mm



WALL ELBOW SHOWER FITTING

The wall plate elbow is designed for surface mounting on a tiled wall or water resistant surface as part of a cavity or solid wall.

- 606-1002



Ecocal™ Thermostatic Radiator Valves

Our renowned Ecocal thermostatic radiator valves meet the latest European standards including TELL 'I' rating. These models have been carefully manufactured for either retrofit or new installations and have a reversible body for either horizontal or vertical fitting. Suitable for either on-flow or return pipework, these TRVs provide the installer with flexibility.

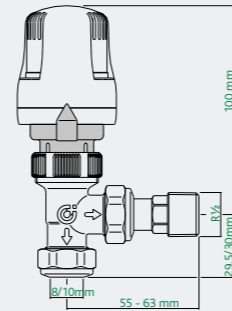


ECOCAL™ THERMOSTATIC RADIATOR VALVES - ANGLED

White head
CA-200428MS - 8mm x 1/2"
200420LTC - 10mm x 1/2"
200435LTC - 15mm x 1/2"

Chrome head
CA-200455 - 15mm x 1/2"

- Temperature setting range: 0°C - 28°C
- Max working pressure: 10 bar
- Frost Setting: 7°C

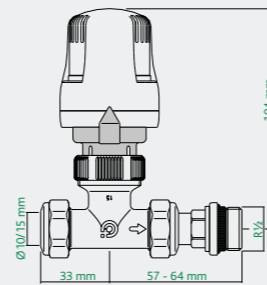


ECOCAL™ THERMOSTATIC RADIATOR VALVES - STRAIGHT

White head
CA-201010 - 10mm x 1/2"
200465LTC - 15mm x 1/2"

Chrome head
CA-201013 - 10mm x 1/2"
CA-201011 - 15mm x 1/2"

- Temperature setting range: 0°C - 28°C
- Max working pressure: 10 bar
- Frost Setting: 7°C



ECOCAL™ THERMOSTATIC HEAD

Ecocal™ chrome head and collar
200014 CST

Ecocal™ TRV head and collar
CA-200000

Tamperproof guard and allen key for tamperproof guard
CA-100793

- Temperature setting range: 0°C - 28°C
- Max working pressure: 10 bar
- Frost Setting: 7°C

Twin Packs

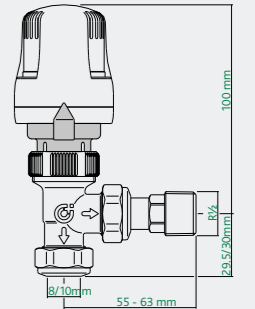


ECOCAL™ TWIN PACKS - ANGLED

White head
200440 LTC - 10mm x 1/2"
200445 LTC - 15mm x 1/2"

Chrome head
CA-200456 - 10mm x 1/2"
200455 LTC - 15mm x 1/2"

- Temperature setting range: 7°C - 28°C
- Max working pressure: 10 bar
- Frost Setting: 7°C

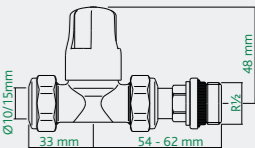
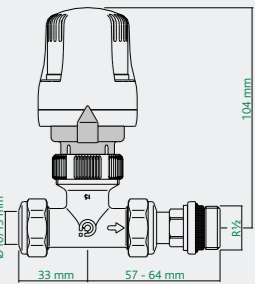


ECOCAL™ TWIN PACKS - STRAIGHT

White head
CA-200478 - 10mm x 1/2"
200475 LTC - 15mm x 1/2"

Chrome head
CA-200477 - 10mm x 1/2"
200485 LTC - 15mm x 1/2"

- Temperature setting range: 7°C - 28°C
- Max working pressure: 10 bar
- Frost Setting: 7°C



Accessories



ECOCAL™ ACCESSORIES

Ecocal™ head only*
200001

Ecocal™ Remote Sensor Head 2m
201000

Remote adjusting and sensing for TRV 2m capillary
472000

15mm x 8mm reducing bullet
BI-100001

15mm x 10mm reducing bullet
BI-100002

10mm Ecocal™ with elbows
CA-200510

SILFRA Commercial Washrooms

The Altecnic range of commercial washroom products includes non-concussive taps, infrared taps, timed flow controls, vandal resistant flow controls, vandal resistant shower valves and shower panels.

The Altecnic range of commercial washroom products leverages over 40 years of experience in the field of design and production of washroom products of our sister company, SILFRA.

SILFRA products come with a 5 year warranty as standard.

To find out more about Altecnic's range of commercial washroom products visit:
www.altecnic.co.uk/washrooms



For more information about any of the products in this brochure or to view our full range of plumbing and heating products

visit www.altecnic.co.uk
call 01785 218200



Brochures currently available

General information

Office hours:

Monday to Friday 8.30am - 5.00pm.

Prices:

Prices are exclusive of VAT, and are subject to change without notice.

All prices displayed are recognised as list.

Terms:

A copy of Altecnic's terms and conditions is available on request.

Property of goods:

Until full payment has been received, all goods supplied remain the property of Altecnic Ltd.

Delivery:

Carriage paid 3 day service, UK mainland only.
(Minimum order value of £50 applies or £7.50 small order charge applies.)

Customer Care Notice

Full details of Altecnic's Returns Policy are available at www.altecnic.co.uk.



RAD-BOOK 21



Altecnic Ltd - CALEFFI group

Mustang Drive, Stafford, Staffordshire ST16 1GW

T: 01785 218200 F: 01785 218201 E: sales@altecnic.co.uk

Registered in England No: 2095101

altecnic.co.uk

© Patents & Design Altecnic 2021

Altecnic Ltd retains all rights (including patents, designs and copyrights, trademarks and any other intellectual property rights) in relation to all information provided on or via the website, brochures or any other documents, including all texts, graphics and logos, contained on the website, in brochures or in any other documents published in the name of or on behalf of Altecnic Ltd in any form, without prior written consent of Altecnic Ltd.

ALT/RV/0721