

Solar Product Guide

Altecnic Renewables



altecnic.co.uk

altecnic
CALEFFI group

Authentic
Accredited
Altecnic



As the UK's leading manufacturer and supplier of superior plumbing equipment, Altecnic is committed to significantly investing in new technology to bring innovative products to market. As part of the global Caleffi organisation, Altecnic offers a comprehensive range of internationally accredited plumbing and heating products which meet all current UK and European standards. The specialist renewables division provides professional installers with the latest solar, geothermal and biomass technology.

Supplying both domestic and commercial buildings, Altecnic's industry wide reputation for high quality manufacturing and environmental awareness is proven by ISO 45001. Trade merchants, original equipment manufacturers, plumbing and heating engineers and specifiers continue to choose Altecnic's outstanding products and services, fully supported by the national sales team and experienced technical and quality departments.



Please note

WRAS Approved Products



Details of the range of products approved can be found in the Water Fittings and Materials online directory:

www.wras.co.uk

NSF Certified Products

Details of NSF certified products to TMV2, TMV3 and DTC can be found online at:

www.nsf.org



Contact us



- | | |
|-----------------------|-----------------------------------------------|
| General: | 01785 218200 |
| Accounts Enquiries: | 01785 218203 |
| Technical helpline: | 01785 218206 |
| Customer Care Line: | 01785 218207 |
| Trade Sales: | 01785 218222 tradesales@altecnic.co.uk |
| OEM Sales: | 01785 218208 oemsales@altecnic.co.uk |
| Specifications Sales: | 01785 218210 specifications@altecnic.co.uk |



Altecnic Ltd
Mustang Drive, Stafford, Staffordshire ST16 1GW



Purpose-designed components for solar thermal systems

Developed and thoroughly proven by our parent company in Italy, Altecnic's solar product range is purpose-designed for use in solar thermal systems, where high temperatures may be habitually reached. They're also compatible with glycol, which is present in most kinds of system.

The Altecnic name guarantees purpose-designed products, eliminating any risk of installing fittings adapted from traditional applications which may not be able to cope with the ultra high temperatures and demands of a solar heating system.

Our quality and environmental standards are proven by our ISO 45001 certification. If you have any questions about product choice or installation, we'd be happy to help.





Contents

6 Solar Expansions Vessels Range

8 Expansion Vessel Accessories

9 Solar Automatic Air Vents and Deaerators

10 Pump Stations

12 Balancing Valves and Ball Valves

13 Safety Relief Valves and Control Valves

14 Thermostatic Mixing Valves

16 Boiler Connection Kits

18 Installation Accessories

SOLAR EXPANSIONS VESSELS RANGE



Materials

| Component | Material |
|-------------|--------------|
| Shell | Carbon Steel |
| Connections | Carbon Steel |
| Diaphragm | Elastomer |
| Coating | Powder Epoxy |

Technical Specification

| | |
|----------------------------------|-----------------|
| Max. working pressure - SX-24MFO | 10 bar 8 bar |
| System operating range | -10°C to 120°C |
| Diaphragm operating range | -10°C to 130°C |
| Factory air precharge | 1.5 bar |

SX-VI0012



INTERMEDIATE VESSELS

| Ref no | Size | Dia (Ø D mm) | Ht (H mm) | Connections | Max working Pressure |
|-----------|-------|--------------|-----------|-------------|----------------------|
| SX-VI0005 | 5 L | 200 | 251 | G ¾" B | 10 bar |
| SX-VI0008 | 8 L | 200 | 350 | G ¾" B | 10 bar |
| SX-VI0012 | 12 L | 270 | 318 | G ¾" B | 10 bar |
| SX-VI0018 | 18 L | 270 | 420 | G ¾" B | 10 bar |
| SX-VI0024 | 24 L | 320 | 440 | G ¾" B | 10 bar |
| SX-VI0035 | 35 L | 360 | 480 | G ¾" B | 10 bar |
| SX-VI0050 | 50 L | 360 | 730 | G 1" B | 10 bar |
| SX-VI0100 | 100 L | 450 | 860 | G 1" B | 10 bar |
| SX-VI0200 | 200 L | 550 | 1135 | G 1 ½" B | 10 bar |
| SX-VI0300 | 300 L | 650 | 1160 | G 1 ½" B | 10 bar |

SPECIFICATION

- Shell carbon steel
- Connections carbon steel
- Coating powder epoxy
- Max. working pressure: 10 bar
- System operating range: 10°C to 160°C

Solar vessel calculation

$$V = \frac{[(V_e + V_v + V_d) \times (P_{max} + 1)]}{(P_{max} - P_{prec})}$$

V = Vessel size

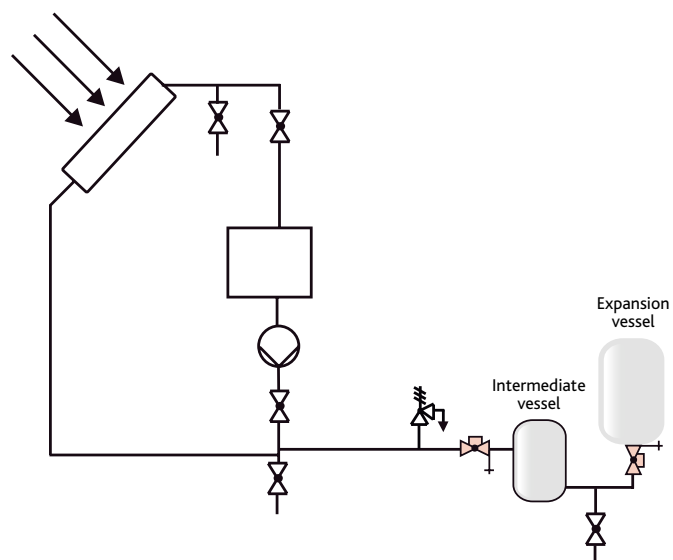
V_e = expansion volume of the solar fluid in litres

V_v = amount of solar fluid stored in the vessel in litres

SIB V_d = Volume of steam

P_{max} = Maximum working pressure of solar system in Bar

P_{prec} = Precharge pressure of expansion vessel in Bar



SOLAR EXPANSIONS VESSELS RANGE

FIXED BLADDER EXPANSION VESSELS

| Ref no | Size | Dia (Ø D mm) | Ht (H mm) | Connections | Max working Pressure | Membrane |
|-----------|------|-----------------|--------------|-------------|----------------------|----------|
| SX-5SMFO | 5 L | 200 | 240 | G ¾" | 10 bar | Fixed |
| SX-8SMFO | 8 L | 200 | 335 | G ¾" | 10 bar | Fixed |
| SX-12SMFO | 12 L | 270 | 302 | G ¾" | 10 bar | Fixed |
| SX-18SMFO | 18 L | 270 | 405 | G ¾" | 10 bar | Fixed |
| SX-24SMFO | 24 L | 320 | 425 | G ¾" | 8 bar | Fixed |

SX-5SMFO



REPLACEABLE BLADDER EXPANSION VESSELS

| Ref no | Size | Dia (Ø D mm) | Ht (H mm) | Connections | Max working Pressure | Membrane |
|------------|-------|-----------------|--------------|-------------|----------------------|-------------|
| SX-35SMRP | 35 L | 360 | 615 | G 1" | 10 bar | Replaceable |
| SX-50SMRP | 50 L | 360 | 750 | G 1" | 10 bar | Replaceable |
| SX-80SMRP | 80 L | 450 | 750 | G 1" | 10 bar | Replaceable |
| SX-100SMRP | 100 L | 450 | 850 | G 1" | 10 bar | Replaceable |

SX-35SMRP



LARGER CAPACITY VESSELS

| Ref no | Size | Dia (Ø D mm) | Ht (H mm) | Connections | Max working Pressure | Membrane |
|------------|-------|-----------------|--------------|-------------|----------------------|----------|
| SX-200SMRP | 200 L | 485 | 1400 | G 1½" | 10 bar | Fixed |
| SX-300SMRP | 300 L | 485 | 1965 | G 1½" | 10 bar | Fixed |
| SX-500SMRP | 500 L | 600 | 2065 | G 1½" | 10 bar | Fixed |
| SX-700SMRP | 700 L | 700 | 2215 | G 1½" | 10 bar | Fixed |

SX-200SMRP



EXPANSION VESSEL ACCESSORIES

255007



EXPANSION VESSEL CONNECTION KIT

| Ref no | Size | Description |
|--------|------|------------------------------------------------------------------------------------------------------------------------|
| 255007 | ¾" | Contains stainless steel flexible hose (L=500mm), automatic shut-off valve and wall mounting bracket (up to 24 litres) |

SPECIFICATION

- Max working pressure : 10 bar
- Shut-off cock max temperature : 110°C
- Max percentage of glycol : 50%

SOLAR AUTOMATIC AIR VENTS AND DEAERATORS

DISCAL AIR SOLAR DEAERATORS

| Ref no | Size | Insulation | Connections | Orientation | Description |
|--------|------|------------|------------------|-------------|---------------------|
| 251003 | ¾" | No | F x F BSP | Horizontal | Chrome plated brass |
| 251006 | 1" | No | F x F with drain | Horizontal | Chrome plated brass |
| 251007 | 1¼" | No | F x F with drain | Horizontal | Chrome plated brass |
| 251905 | ¾" | No | F x F BSP | Vertical | Chrome plated brass |
| 251906 | 1" | No | F x F BSP | Vertical | Chrome plated brass |
| 251093 | ¾" | No | F x F BSP | Horizontal | Brass |



251003

SPECIFICATION

- Max working pressure: 10 bar
- Max temperature: 160°C
- Max percentage of glycol: 50%

DISCAL AIR SOLAR AUTOMATIC AIR VENTS

| Ref no | Size | Connections | Pressure | Temperature |
|--------|------|------------------------|------------|-------------|
| 251004 | ½" | F BSP | Max 10 bar | Max 160°C |
| 250031 | ¾" | M BSP | Max 10 bar | Max 180°C |
| 250131 | ¾" | M with isolation valve | Max 10 bar | Max 200°C |
| 250831 | ¾" | M BSP | Max 10 bar | Max 180°C |
| 250931 | ¾" | M with isolation valve | Max 10 bar | Max 180°C |



251004

SPECIFICATION

- Max working pressure: 10 bar
- Max temperature: 160°C
- Max percentage of glycol: 50%

ISOLATION VALVE

| Ref no | Size | Connections | Description |
|--------|------|-------------|-------------|
| 250300 | ¾" | M x F BSP | Butterfly |
| 250400 | ½" | M x F BSP | Lever |



250300

SPECIFICATION

- For use with 250031 and 251004.
- Max working pressure: 10 bar
- Max temperature: 200°C
- Max percentage of glycol: 50%

PUMP STATIONS

278050HE



278 - PUMP STATION FOR SOLAR THERMAL SYSTEMS, RETURN CONNECTION

| Ref no | Size | Flow Rate Scale | Connections |
|----------|------|-----------------|-------------|
| 278050HE | ¾" | 1 - 13 L/min | F BSP |
| 278750HE | ¾" | 1 - 13 L/min | F BSP |
| 278752HE | ¾" | 8 - 30 L/min | F BSP |

SPECIFICATION

- Electric supply: 230 V (ac)
- Max. working pressure: 10 bar
- Safety relief valve temperature range: -30–160°C
- Safety relief valve setting: 6 bar (for other setting, see 253 series using the adapter code F21224)
- Flow meter temperature range: -10–110°C
- Max. percentage of glycol: 50%
- Consisting of:
 - solar circulation pump
 - safety relief valve for solar thermal systems 253 series
 - fill/drain cock
 - instrument holder fitting with pressure gauge
 - flow meter
 - return temperature gauge
 - shut-off valve with check valve
 - 2 hose connections
 - pre-formed shell insulation
- Grundfos pump UPM3

278005



DIGITAL REGULATOR DELTASOL® SLL WITH PWN CONTROL

| Ref no | Description |
|--------|--------------------------------------------------|
| 278005 | Digital regulator DeltaSol® SLL with PWN control |

SPECIFICATION

- Electric supply: 230 V (ac)
- Complete with pre-formed shell insulation for coupling with pump stations 278 and 279 series
- Complete with 3 Pt1000 probes, with fourth probe as optional
- Functions: differential temperature regulator with supplementary and optional functions
- Inputs: for 4 Pt1000 probes
- Outputs: 2 semiconductor relays

PUMP STATIONS - TWIN PUMP STATIONS

279 - CIRCULATION UNIT FOR SOLAR HEATING SYSTEMS, FLOW AND RETURN CONNECTION. FITTED FOR CONNECTION TO DELTASOL® C+

279050HE

| Ref no | Size | Flow Rate | Connections |
|----------|------|--------------|-------------|
| 279050HE | ¾" | 1 - 13 L/min | F BSP |
| 279052HE | ¾" | 8 - 30 L/min | F BSP |



SPECIFICATION

- Electric supply: 230 V (ac)
- Max. working pressure: 10 bar
- Safety relief valve temperature range: -30–160°C
- Safety relief valve setting: 6 bar (for other setting, see 253 series using the adapter code F21224)
- Flow meter temperature range: -10–110°C
- Max. percentage of glycol: 50%
- Consisting of:
 - Solar circulation pump
 - safety relief valve for solar thermal systems 253 series
 - 2 fill/drain cocks
 - instrument holder fitting with pressure gauge
 - flow meter
 - deaerator device
 - flow temperature gauge
 - return temperature gauge
 - 2 shut-off valves with check valves
 - 2 hose connections
 - pre-formed shell insulation
- Grundfos pump UPM3

255 - PUMP STATION FOR SOLAR THERMAL SYSTEMS, FLOW AND RETURN CONNECTION

255266

| Ref no | Size | Flow Rate | Connections |
|----------|------|--------------|-------------|
| 255266HE | 1" | 5 - 40 L/min | F BSP |

SPECIFICATION

- Electric supply: 230 V (ac)
- Max. working pressure: 10 bar
- Safety relief valve temperature range: -30–160°C
- Safety relief valve setting: 6 bar (for other setting see 253 series)
- Max. flow meter temperature: 120°C
- Max. percentage of glycol: 50%
- Consisting of:
 - Grundfos Solar 25-120 circulation pump
 - safety relief valve for solar thermal systems 253 series
 - 2 fill/drain cocks with hose connections
 - instrument holder fitting with pressure gauge
 - flow regulator with flow meter
 - deaerator device
 - flow temperature gauge
 - return temperature gauge
 - 2 shut-off valves with check valves
 - pre-formed shell insulation
- Grundfos pump UPM3



BALANCING VALVES & BALL VALVES

258503



BALANCING VALVE WITH FLOW METER, FOR SOLAR THERMAL SYSTEMS

| Ref no | Size | Flow Rate Scale | Connections |
|--------|------|-----------------|-------------|
| 258503 | ¾" | 2 - 7 L/min | DN20 |
| 258523 | ¾" | 7 - 28 L/min | DN20 |
| 258533 | ¾" | 3 - 10 L/min | DN20 |
| 258603 | 1" | 10 - 40 L/min | DN25 |

SPECIFICATION

- Max working pressure : 10 bar
- Max temperature : 130°C
- Max percentage of glycol : 50%
- Magnetic movement & graduated scale
- Direct reading of flow rate

240400



ISOLATING BALL VALVE 240 SERIES

| Ref no | Size | Connections | Max Pressure | Temperature |
|--------|------|-------------|--------------|-------------|
| 240400 | ½" | F BSP | 16 bar | Max 200C |
| 240500 | ¾" | F BSP | 16 bar | Max 200C |
| 240600 | 1" | F BSP | 16 bar | Max 200C |

SPECIFICATION

- Max temperature : 200°C
- Max percentage of glycol : 50%
- Body and ball in stainless steel AISI 316
- Handle in stainless steel AISI 304

SAFETY RELIEF VALVES & CONTROL VALVES

253 - SAFETY RELIEF VALVE FOR SOLAR THERMAL SYSTEMS

253046

| Ref no | Size | Connections | Pressure |
|--------|---------|-------------|-----------|
| 253040 | ½" x ¾" | F x F BSP | 10.00 bar |
| 253042 | ½" x ¾" | F x F BSP | 2.50 bar |
| 253043 | ½" x ¾" | F x F BSP | 3.00 bar |
| 253044 | ½" x ¾" | F x F BSP | 4.00 bar |
| 253046 | ½" x ¾" | F x F BSP | 6.00 bar |
| 253048 | ½" x ¾" | F x F BSP | 8.00 bar |
| 253052 | ¾" x 1" | F x F BSP | 2.50 bar |
| 253053 | ¾" x 1" | F x F BSP | 3.00 bar |
| 253054 | ¾" x 1" | F x F BSP | 4.00 bar |
| 253056 | ¾" x 1" | F x F BSP | 6.00 bar |
| 253058 | ¾" x 1" | F x F BSP | 8.00 bar |



SPECIFICATION

- Max temperature: 160°C
- Max percentage of glycol: 50%

309 - TEMPERATURE AND PRESSURE RELIEF VALVE. FOR SOLAR THERMAL SYSTEMS, TO PROTECT THE HOT WATER STORAGE

309471

| Ref no | Size | Connections | Pressure | Length | Temp. & Discharge Rate |
|--------|-----------|---------------------|----------|--------|------------------------|
| 309401 | ½" x 15mm | M BSP x Compression | 10 bar | 102mm | 90°C 10 kw |
| 309461 | ½" x 15mm | M BSP x Compression | 6 bar | 102mm | 90°C 10 kw |
| 309471 | ½" x 15mm | M BSP x Compression | 7 bar | 102mm | 90°C 10 kw |
| 309501 | ¾" x 22mm | M BSP x Compression | 10 bar | 99mm | 90°C 25 kw |
| 309561 | ¾" x 22mm | M BSP x Compression | 6 bar | 99mm | 90°C 25 kw |
| 309571 | ¾" x 22mm | M BSP x Compression | 7 bar | 99mm | 90°C 25 kw |



SPECIFICATION

- For use on solar thermal systems
- Max percentage of glycol: 50%

MOTORISED THREE-WAY BALL DIVERTER VALVE

644346

| Ref no | Size | Flow Rate Scale | Connections | Description |
|--------|------|-----------------|-------------|--------------|
| 644346 | ½" | 3.9 m³/h | M BSP | 3 port valve |
| 644356 | ¾" | 3.9 m³/h | M BSP | 3 port valve |
| 644357 | ¾" | 8.9 m³/h | M BSP | 3 port valve |
| 644366 | 1" | 9.0 m³/h | M BSP | 3 port valve |



SPECIFICATION

- Max working pressure: 10 bar
- Max temperature: 110°C
- 230 volts supply

THERMOSTATIC MIXING VALVES

521814



45-65° TEMPERING VALVE - ART 5218

| Ref no | Size | Connections | Temperature |
|---------|------|-------------|-------------------------|
| 521814* | ½" | M BSP | Setting range 45 - 65°C |
| 521815* | ¾" | M BSP | Setting range 45 - 65°C |
| 521816* | 1" | M BSP | Setting range 45 - 65°C |
| 521817 | 15mm | Compression | Setting range 45 - 65°C |
| 521818 | 22mm | Compression | Setting range 45 - 65°C |
| 521819 | 28mm | Compression | Setting range 45 - 65°C |

SPECIFICATION

- Maximum inlet pressure: 10 bar static, 5 bar dynamic
- Maximum inlet temperature: 90°C
- Certified to BS EN 15092
- Maximum pressure ratio (H/C or C/H): 2:1
- Minimum temperature difference between hot water inlet and mixed water outlet for best performance: 10°C
- Temperature stability: ±2°C
- Minimum flow rate for stable operation : 4 l/m - ½" and ¾" sizes, 6 l/m - 1" size



252140



2521 ADJUSTABLE THERMOSTATIC MIXING VALVE

| Ref no | Size | Connections | Temperature |
|--------|------|-------------|-------------------------|
| 252140 | ½" | M BSP | Setting range 30 - 65°C |
| 252150 | ¾" | M BSP | Setting range 30 - 65°C |
| 252153 | ¾" | M BSP | Setting range 30 - 65°C |

SPECIFICATION

- Max inlet temperature: 100°C
- Max working pressure: 14 bar



252340



2523 THERMOSTATIC MIXING VALVE WITH INTERCHANGEABLE CARTRIDGES

| Ref no | Size | Connections | Temperature |
|--------|------|-------------|-------------------------|
| 252340 | ½" | M BSP | Setting range 30 - 65°C |
| 252350 | ¾" | M BSP | Setting range 30 - 65°C |
| 252360 | 1" | M BSP | Setting range 30 - 65°C |
| 252370 | 1¼" | M BSP | Setting range 30 - 65°C |
| 252380 | 1½" | M BSP | Setting range 35 - 65°C |
| 252390 | 2" | M BSP | Setting range 35 - 65°C |

SPECIFICATION

- Max inlet temperature: 100°C
- Max working pressure: 14 bar

THERMOSTATIC MIXING VALVES

2521 MIXCAL MIXPRO®

| Ref no | Size | Connections | Temperature |
|--------|------|-------------|-------------------------|
| 252150 | ¾" | M BSP | Setting range 35 - 65°C |
| 252160 | 1" | M BSP | Setting range 35 - 65°C |
| 252170 | 1¼" | M BSP | Setting range 35 - 65°C |
| 252180 | 1½" | M BSP | Setting range 35 - 65°C |
| 252190 | 2" | M BSP | Setting range 35 - 65°C |



252170

SPECIFICATION

- Max inlet temperature : 100°C
- Max working pressure : 14 bar

THERMOSTATIC MIXING VALVE, WITH CHECK VALVES AND STRAINERS

| Ref no | Size | Connections | Temperature |
|--------|------|-------------|-------------------------|
| 252701 | 1" | M BSP | Setting range 35 - 55°C |
| 252713 | ¾" | M BSP | Setting range 35 - 55°C |
| 252714 | ½" | M BSP | Setting range 35 - 55°C |



252713

SPECIFICATION

- Max inlet temperature : 100°C
- Max working pressure : 10 bar

THERMOSTATIC DIVERTING VALVE FOR SOLAR SYSTEMS - SERIES 2620

| Ref no | Size | Connections | Temperature |
|--------|------|--------------|----------------------------|
| 262040 | ½" | Screwed iron | Adjustment range 35 - 55°C |
| 262050 | ¾" | Screwed iron | Adjustment range 35 - 55°C |
| 262055 | ¾" | Screwed iron | Adjustment range 38 - 52°C |



262040

SPECIFICATION

- Max inlet temperature : 100°C
- Max working pressure : 10 bar

BOILER CONNECTION KITS

264352

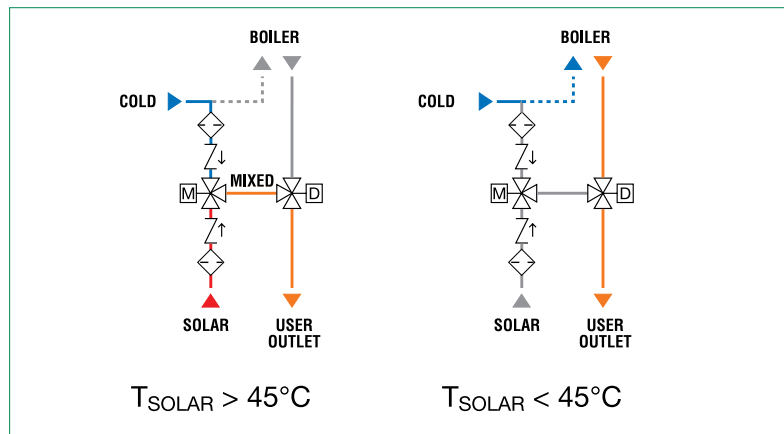


264 - SOLAR STORAGE-TO-BOILER CONNECTION KIT

| Ref no | Size | Connections |
|--------|------|-------------|
| 264352 | 3/4" | M BSP |

SPECIFICATION

- Max working pressure : 10 bar static, 5 bar dynamic
- 230 volts supply
- Outlet mixing valve range : 30 - 55°C



265352

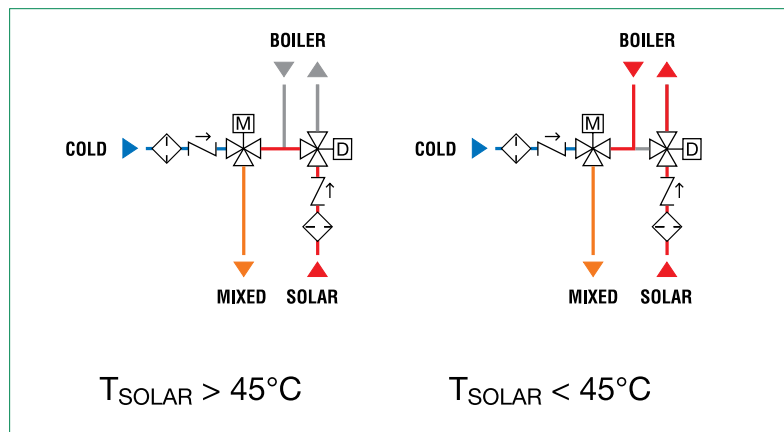


265 - SOLAR STORAGE-TO-BOILER CONNECTION KIT

| Ref no | Size | Connections |
|--------|------|-------------|
| 265352 | 3/4" | M BSP |

SPECIFICATION

- Max working pressure : 10 bar static, 5 bar dynamic
- 230 volts supply
- Outlet mixing valve range : 30 - 55°C



BOILER CONNECTION KITS

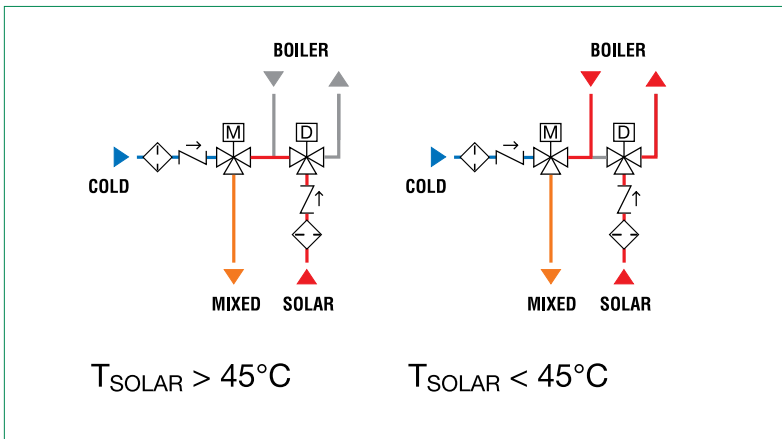
262 - SOLAR STORAGE-TO-BOILER THERMOSTATIC CONNECTION KIT

262350

| Ref no | Size | Connections |
|--------|------|-------------|
| 262350 | ¾" | M BSP |

SPECIFICATION

- Max working pressure : 10 bar static, 5 bar dynamic
- Outlet mixing valve range : 30 - 55°C



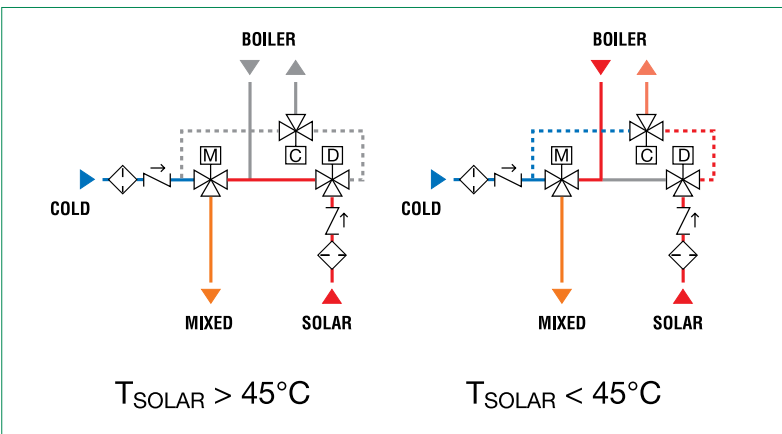
263 - SOLAR STORAGE-TO-BOILER THERMOSTATIC CONNECTION KIT

263350

| Ref no | Size | Connections |
|--------|------|-------------|
| 263350 | ¾" | M BSP |
| 263352 | 22mm | Compression |

SPECIFICATION

- Max working pressure : 10 bar static, 5 bar dynamic
- Outlet mixing valve range : 30 - 55°C



INSTALLATION ACCESSORIES

86TW051402201



FLEXIBLE SOLAR PIPE - ANNULAR CONSTRUCTION - 14 MM WALL

| Ref no | Size | Wall thickness | OD | Insulation | Length |
|---------------|------|----------------|--------|------------|--------|
| 86TW051402201 | DN16 | 0.18mm | 21.4mm | 14mm | 10m |
| 86TW051402202 | DN16 | 0.18mm | 21.4mm | 14mm | 15m |
| 86TW051402801 | DN20 | 0.18mm | 26.4mm | 14mm | 10m |
| 86TW051402804 | DN20 | 0.18mm | 26.4mm | 14mm | 25m |
| 86TW051403501 | DN25 | 0.20mm | 31.7mm | 14mm | 15m |
| 86TW051403503 | DN25 | 0.20mm | 31.7mm | 14mm | 25m |
| 86TW052002202 | DN16 | 0.18mm | 21.4mm | 20mm | 15m |
| 86TW052002204 | DN16 | 0.18mm | 21.4mm | 20mm | 25m |
| 86TW052002802 | DN20 | 0.18mm | 26.4mm | 20mm | 15m |
| 86TW052002804 | DN20 | 0.18mm | 26.4mm | 20mm | 25m |
| 86TW052003501 | DN25 | 0.20mm | 31.7mm | 20mm | 15m |
| 86TW052003503 | DN25 | 0.20mm | 31.7mm | 20mm | 25m |

SPECIFICATION

- Twin solar system annular pipe complete with insulation and sensor wire
- Other specifications available on request

SOLPK1



SOLAR PIPE PACKS - ANNULAR CONSTRUCTION

| Ref no | Size | Wall thickness | Length |
|--------|------|----------------|--------|
| SOLPK1 | DN16 | 0.20mm | 10m |
| SOLPK2 | DN20 | 0.20mm | 10m |
| SOLPK3 | DN25 | 0.20mm | 15m |
| SOLPK4 | DN16 | 0.20mm | 15m |
| SOLPK5 | DN20 | 0.20mm | 15m |
| SOLPK6 | DN25 | 0.20mm | 15m |

SPECIFICATION

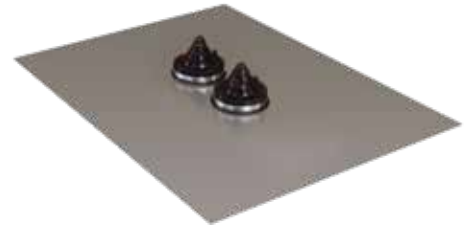
- PK1-3 features 14mm insulation thickness
- PK4-6 features 20mm insulation thickness

INSTALLATION ACCESSORIES - PIPE AND ANCILLARIES

SOLAR PIPE FLASHINGS

MSER225

| Ref no | Size | Roof pitch 0-25° | Roof pitch 0-45° |
|-------------|-----------|---------------------------|---------------------------|
| MSER225 | 75 x 75 | Pipe Diameter (mm) 3 - 25 | Pipe Diameter (mm) 3 - 25 |
| MSER325 | 75 x 75 | Pipe Diameter (mm) 3 - 25 | Pipe Diameter (mm) 3 - 20 |
| VASB550 | 450 x 600 | Pipe Diameter (mm) 5 - 50 | Pipe Diameter (mm) 5 - 40 |
| VASB550DUO | 450 x 600 | Pipe Diameter (mm) 5 - 50 | Pipe Diameter (mm) 5 - 40 |
| VLSB550DUO | 450 x 600 | Pipe Diameter (mm) 5 - 50 | Pipe Diameter (mm) 5 - 40 |
| VLSB550TWIN | 410 x 490 | Pipe Diameter (mm) 5 - 50 | Pipe Diameter (mm) 5 - 40 |



SPECIFICATION

- EPDM cone : -40°C to 115°C
- Silicone cone : -60°C to 240°C

DISCHARGE RECOVERY CONTAINER

AF-AHS077796

| Ref no | Size | Description |
|--------------|-------|--------------------------------|
| AF-AHS077796 | 9.6 L | 300mm(W) x 270mm(H) x 130mm(D) |



SPECIFICATION

- Container temperature for long term storage : ambient -5 to 50°C, storage -10 to 60°C
- Container temperature for short term discharge : 160°C
- Container material - plastic PE (polyethylene-lupolen 5021D white)
- Clearance: 440mm high including wall fixing brackets and drain valve assembly

MANUAL SYSTEM FILLING PUMP

255010

| Ref no | Size | Description |
|--------|------|----------------------------------------------------------|
| 255010 | ½" | System filling pump for pump stations 266 and 267 series |



ELECTRIC SOLAR FILLING PUMP SET

ALT-WASOPMP

| Ref no | Size | Description |
|-------------|------|------------------------------------------------------------------------------------------------------------------------------------------------------------------|
| ALT-WASOPMP | ½" | Centrifugal pump with stainless steel casing for filling and commissioning the solar circuit. ¾" sucking hose. ½" pressure hose and ½" drainage hose with filter |



SPECIFICATION

- Pump can be locked for transport
- 230V
- Max pressure height 46m
- Max liquid temperature : 40°C
- Motor safety interrupter, on/off switch

INSTALLATION ACCESSORIES - FITTINGS

TI-35052804SUN



SOLAR CHECK VALVE

| Ref no | Size | Flow Rate | Connections | Max working pressure |
|----------------|------|-----------|-------------|----------------------|
| TI-35052804SUN | ½" | 3.9 m³/h | F x F BSP | 16 bar |
| TI-35052805SUN | ¾" | 7.8 m³/h | F x F BSP | 16 bar |
| TI-35052806SUN | 1" | 13.5 m³/h | F x F BSP | 16 bar |
| TI-35052807SUN | 1¼" | 20.4 m³/h | F x F BSP | 15 bar |
| TI-35052808SUN | 1½" | 26 m³/h | F x F BSP | 15 bar |
| TI-35052809SUN | 2" | 37 m³/h | F x F BSP | 15 bar |

SPECIFICATION

- Max temperature : 180°C, min temperature : -20°C
- Max pressure : ½" to 1" 16 bar, 1¼" to 2" 15 bar
- Inlet thread BS EN ISO 228

538404



SOLAR HOSE UNION DRAIN BALL VALVE

| Ref no | Size | Connections | Max working pressure | Temperature |
|--------|------|---------------------|----------------------|-------------|
| 538404 | ½" | M BSP x hose outlet | 16 bar | -20-180°C |

SPECIFICATION

- Max temperature : 180°C, min temperature : -20°C
- Max pressure : 16 bar
- Inlet thread BS EN ISO 228
- Kv 4 m³/h

1039G181804S



TEE FITTING WITH PROBE CONNECTION ONE END

| Ref no | Size | Max working pressure | Temperature |
|--------------|-------------|----------------------|-------------|
| 1039G181804S | 18mm x 18mm | 16 bar | -20-180°C |
| 1039G222204S | 22mm x 22mm | 16 bar | -20-180°C |

SPECIFICATION

- Tee fitting with 6mm probe housing

9561T03



PROBE HOUSING ½" WITH COPPER WASHER

| Ref no | Size | Connections | Max working pressure | Temperature |
|---------|------------|-------------|----------------------|-------------|
| 9561T03 | ½" x 123mm | M BSP | 16 bar | -20-180°C |
| 9561T04 | ½" x 164mm | M BSP | 16 bar | -20-180°C |

INSTALLATION ACCESSORIES - FITTINGS

STRAIGHT MALE FITTING WITH O RING SEAL

1552G000505FDR

| Ref no | Size | Connections | Max working pressure | Temperature |
|----------------|---------|-------------|----------------------|-------------|
| 1552G000505FDR | ¾" x ¾" | M BSP | 16 bar | -30 -160°C |
| 1552G000605FDR | 1" x ¾" | M BSP | 16 bar | -30 -160°C |



STRAIGHT MALE TO STAINLESS FLAT FIT WITH TAIL PIECE TO COPPER

1553G002205FD

| Ref no | Size | Connections | Max working pressure | Temperature |
|---------------|-----------|-------------|----------------------|-------------|
| 1553G002205FD | 22mm x ¾" | M BSP | 16 bar | -20-180°C |
| 1553G002206FD | 22mm x 1" | M BSP | 16 bar | -20-180°C |



MALE TO MALE FLAT FACE COUPLER

1552G000505FD

| Ref no | Size | Connections | Max working pressure | Temperature |
|---------------|-----------|-------------|----------------------|-------------|
| 1552G000303FD | ⅜" x ⅜" | M x M BSP | 16 bar | -20-180°C |
| 1552G000404FD | ½" x ½" | M x M BSP | 16 bar | -20-180°C |
| 1552G000504FD | ¾" x ½" | M x M BSP | 16 bar | -20-180°C |
| 1552G000505FD | ¾" x ¾" | M x M BSP | 16 bar | -20-180°C |
| 1552G000605FD | 1" x ¾" | M x M BSP | 16 bar | -20-180°C |
| 1552G000606FD | 1" x 1" | M x M BSP | 16 bar | -20-180°C |
| 1552G000706FD | 1¼" x 1" | M x M BSP | 16 bar | -20-180°C |
| 1552G000807FD | 1½" x 1¼" | M x M BSP | 16 bar | -20-180°C |
| 1552G000908FD | 2" x 1" | M x M BSP | 16 bar | -20-180°C |



INSTALLATION ACCESSORIES - FITTINGS

1117G002205FD



CROSS FITTING WITH NUT AND COMPRESSION RING 4 WAY

| Ref no | Size | Connections | Max working pressure | Temperature |
|---------------|-------------|-------------------------|----------------------|-------------|
| 1117G001805FD | 18mm x 3/4" | F x F x M x Compression | 16 bar | -20-180°C |
| 1117G002205FD | 22mm x 3/4" | F x F x M x Compression | 16 bar | -20-180°C |

1119G000505FD



CROSS FITTING WITH MALE THREADS FLAT SEAT FOR FLEXI PIPE

| Ref no | Size | Connections | Max working pressure | Temperature |
|---------------|-------------|-------------------|----------------------|-------------|
| 1119G000505FD | 3/4" x 3/4" | F x F x M x M BSP | 16 bar | -20-180°C |

1572G040404FD



FLAT FACE TO STAINLESS PIPE TEE

| Ref no | Size | Connections | Max working pressure | Temperature |
|---------------|--------------------|---------------|----------------------|-------------|
| 1572G040404FD | 1/2" x 1/2" x 1/2" | M x M x M BSP | 16 bar | -20-180°C |
| 1572G050404FD | 3/4" x 1/2" x 1/2" | M x M x M BSP | 16 bar | -20-180°C |
| 1572G050405FD | 3/4" x 1/2" x 3/4" | M x M x M BSP | 16 bar | -20-180°C |
| 1572G050504FD | 3/4" x 3/4" x 1/2" | M x M x M BSP | 16 bar | -20-180°C |
| 1572G050505FD | 3/4" x 3/4" x 3/4" | M x M x M BSP | 16 bar | -20-180°C |
| 1572G060506FD | 1" x 3/4" x 1" | M x M x M BSP | 16 bar | -20-180°C |

INSTALLATION ACCESSORIES - FITTINGS

CONNECTION SETS FOR FLEXI PIPE WITH M X M COUPLERS

1552SET070016

| Ref no | Size | Max working pressure | Temperature |
|---------------|------|----------------------|-------------|
| 1552SET070016 | ¾" | 16 bar | -20-180°C |
| 1552SET070020 | 1" | 16 bar | -20-180°C |
| 1552SET070025 | 1¼" | 16 bar | -20-180°C |
| 8930SET070016 | ¾" | 16 bar | -20-180°C |
| 8930SET070020 | 1" | 16 bar | -20-180°C |
| 8930SET070025 | 1¼" | 16 bar | -20-180°C |



SPECIFICATION

- 155 series 4 x nuts, 4 flat seals, 4 nut stop rings, 2 x male couplers
- 893 series 4x nuts, 4x flat seals, 4x nut stop rings

NUT FOR CORRUGATED STEEL PIPE

8930IM0005

| Ref no | Size | Connections | Max working pressure | Temperature |
|------------|------|-------------|----------------------|-------------|
| 8930IM0005 | ¾" | F BSP | 16 bar | -20-180°C |
| 8930IM0006 | 1" | F BSP | 16 bar | -20-180°C |
| 8930IM0007 | 1¼" | F BSP | 16 bar | -20-180°C |



SEALING RING SET INCLUDING WASHERS

9341SET070016

| Ref no | Size | Max working pressure | Temperature |
|---------------|------|----------------------|-------------|
| 9341SET070016 | DN16 | 16 bar | -20-180°C |
| 9341SET070020 | DN20 | 16 bar | -20-180°C |
| 9341SET070025 | DN25 | 16 bar | -20-180°C |
| 9341SET070032 | DN32 | 16 bar | -20-180°C |



SPECIFICATION

- Set made up of 1 x flat sealing washer and 1 x ring

THREE PIECE STRAIGHT UNION FITTING

588052

| Ref no | Size | Connections | Max working pressure | Temperature |
|--------|------|-------------|----------------------|-------------|
| 588052 | ¾" | F x M BSP | 16 bar | -30 -160°C |
| 588062 | 1" | F x M BSP | 16 bar | -30 -160°C |



SPECIFICATION

- With black nickel plated nut
- Max percentage of glycol: 50%
- Max percentage of glycol : 50%

General information

Office hours:

Monday to Friday 8.30am - 5.00pm.

Terms:

A copy of Altecnic's terms and conditions is available on request.

Property of goods:

Until full payment has been received, all goods supplied remain the property of Altecnic Ltd.

Delivery:

Carriage paid 3 day service, UK mainland only. (minimum order value of £100 applies or £7.50 small order charge applies)

Customer care notice

Full details of Altecnic's Returns Policy are available at www.altecnic.co.uk

Useful contacts

Accounts enquiries: 01785 218203

Customer care line: 01785 218207

Technical enquiries: 01785 218 206

Altecnic Ltd - CALEFFI group

Mustang Drive, Stafford, Staffordshire ST16 1GW

01785 218200

sales@altecnic.co.uk

Registered in England No: 2095101



altecnic.co.uk

© Patents & Design Altecnic 2020

Altecnic Ltd retains all rights (including patents, designs and copyrights, trademarks and any other intellectual property rights) in relation to all information provided on or via the website, brochures or any other documents, including all texts, graphics and logos, contained on the website, in brochures or in any other documents published in the name of or on behalf of Altecnic Ltd in any form, without prior written consent of Altecnic Ltd.