

W-124

stainless steel ball valve



altecnic

W-124 stainless steel ball valve



Applications

Altecnic W-124 austenitic stainless steel ball valves are designed for ON-OFF applications on chemical services, petro-chemical applications, compressed air, water and vacuum services.

For chemical applications the compatibility and corrosion resistance must be confirmed.

Can be used at higher pressures and temperatures than most copper alloy ball valves.

Design

The Altecnic W-124 stainless steel ball valves are lever operated through 90°, with bi-directional flow.

316 stainless steel ball for good corrosion resistance.

Anti blow out stem for addition safety.

Full bore design, with 3% glass filled PTFE body seats for reliable isolation.

304 stainless steel lever with integral locking device enables the valve to be locked in the fully open or closed positions.

The valves are designed for high flow rates with minimum pressure drops.

Supplied with taper threaded ends complying with BS EN 10266

Product Range

Product Code	Size	Description
W-124-2001	½"	f x f screwed iron with locking device
W-124-2002	¾"	f x f screwed iron with locking device
W-124-2003	1"	f x f screwed iron with locking device
W-124-2004	1¼"	f x f screwed iron with locking device
W-124-2005	1½"	f x f screwed iron with locking device
W-124-2006	2"	f x f screwed iron with locking device

Construction Details

Component	Material	Grade
Body	Stainless Steel	ASTM A351 CF8M
End connection	Stainless Steel	ASTM A351 CF8M
Ball seat	PTFE filled with 3% glass	
Ball	Stainless Steel	ASTM A351 CF8M
Stem	316 Stainless Steel	
Body seal	PTFE	
Stem retaining ring	304 Stainless Steel	
Stem Packing Gasket	PTFE	
Gland packing	PTFE	
Stem 'O' ring	EPDM - peroxide	
Lever	304 Stainless Steel	

Altecnic Ltd Francesco House, Staples Close, Stafford ST16 1WQ

T: +44 (0)1785 218200 E: sales@altecnic.co.uk

Registered in England No: 02095101

altecnic.co.uk

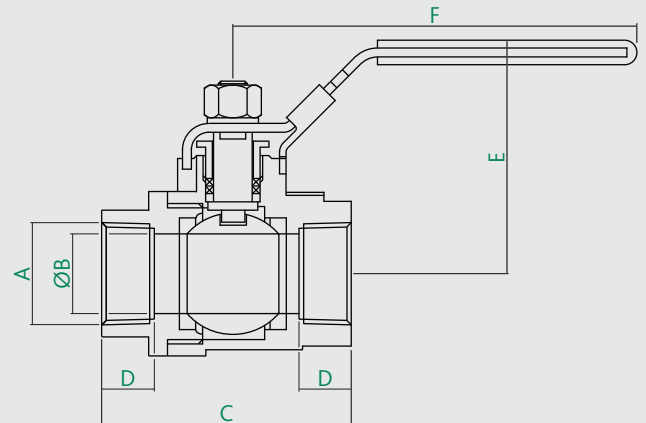
AL 281 20-03-25

E & O.E

© Altecnic Limited. 2025

ALTECNIC™

Dimensions



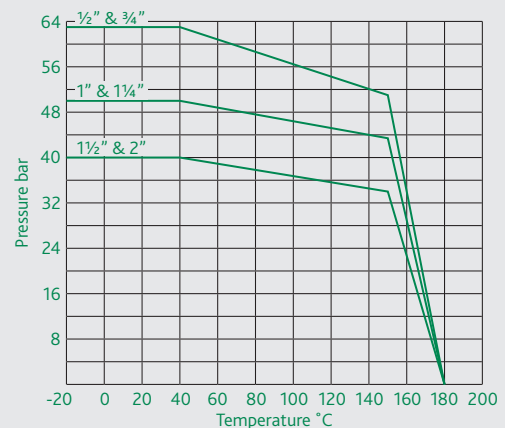
Size	A	B*	C	D	E	F	kg
½"	Rc½	15	58	13	57	100	0.26
¾"	Rc¾	20	66	13.2	66	127	0.40
1"	Rc1	25	77	15.2	70	127	0.59
1¼"	Rc1¼	32	90	18	85	154	1.00
1½"	Rc1½	38	98	18.3	89	154	1.32
2"	Rc2	50	121	22.5	103	192	2.46

* Exceeds the full bore diameter circle specified in BS EN 13547.

Technical Data

Conforms to:	BS EN 13547
Max. Temperature:	120°C
Max. Pressure	Sizes ½" & ¾": 63 bar
	Size 1" & 1¼": 50 bar
	Size 1½" & 2": 40 bar

Pressure - Temperature Diagram



altecnic