

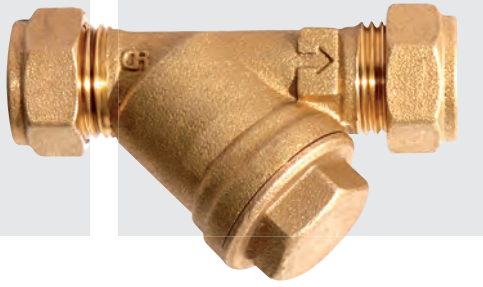
AI-595

'y' pattern strainer



altecnic

AI-595 'y' pattern strainer - compression ends



Design

Altecnic provides a wide range of 'Y' pattern strainers suitable for many applications.

Using the most efficient design for debris removal, utilising generously proportioned screens, this extends the period before the screen requires cleaning.

Available in the sizes 15mm to 28mm with compression ends, also available in sizes 3/8" to 4" with BSP threaded ends.

The bodies are constructed from brass with compression ends for use with copper tube.

The strainer screens are manufactured from 304 austenitic stainless steel for good corrosion resistance in potable water and other applications.

The nitrile rubber 'O' ring seal enables the cap to be removed and replaced easily when the screen requires cleaning and makes the strainers suitable for oil service.

Application

The Altecnic range of 'Y' pattern strainers is designed for use within commercial and domestic applications to protect control valves and other equipment and maintain system efficiency.

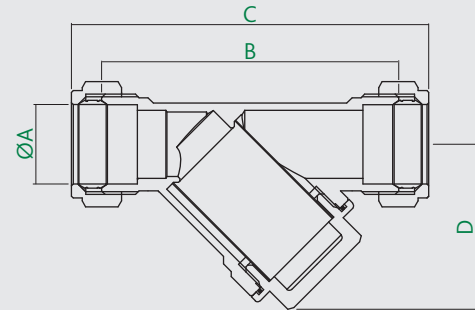
The strainers are a WRAS approved product for use with potable water and with compression ends are ideally suited for installation in the supply to shower valves and controllers.

Construction Details

Component	Material	Grade
Body	Brass	BS EN 12165 CW602N
Screen	Stainless Steel	AISI 304
'O' Rings	Nitrile Rubber	
Cap	Brass	BS EN 12165 CW617N
Olive	Brass	BS EN 12449 CW508LM
Compression Nut	Brass	BS EN 12165 CW617N

Product Code	Size mm	Connection	Type
AI-595015	15	copper x copper	compression
AI-595022	22	copper x copper	compression
AI-595028	28	copper x copper	compression

Dimensions



Prod Code	A	B	C	D	kg	Kv
AI-595015	15	63.5	81	38	0.19	2.4
AI-595022	22	83	100	46	0.30	3.9
AI-595028	28	97	115	57	0.51	6.6

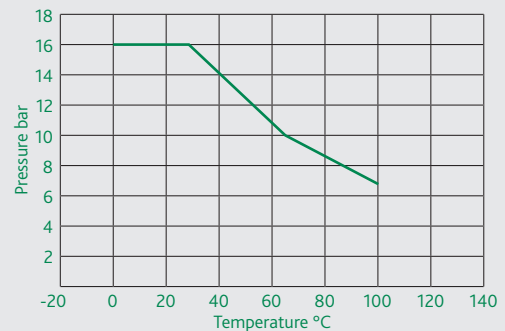
Technical Data

Compression ends complying with BS EN 1254-2*

Pressure - Temperature rating: 16 bar from 2 to 30°C
6.9 bar at 100°C

Strainer mesh size: 15 mm 0.1 mm = 100 µm
22 & 28 mm 0.4 mm = 400 µm

Pressure - Temperature Diagram



* Use with R250 (half hard) copper tube

Altecnic Ltd Francesco House, Staples Close, Stafford ST16 1WQ

T: +44 (0)1785 218200 E: sales@altecnic.co.uk

Registered in England No: 02095101

altecnic.co.uk

AL 014 18-06-25

E & O.E

© Altecnic Limited. 2025

ALTECNIC™