

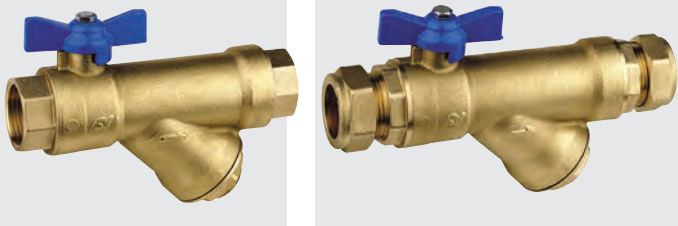
397 intaball combi

ball valve



altecnic

397 intaball combi ball valves



Application

With changes in building construction, there is a continual requirement for more compact and multi-functional valves. The Altecnic Intaball Combi combines the function of a ball isolating valve with the benefit of a strainer to meet these requirements.

The Intaball Combi is the ideal compact valve for use with appliances requiring regular maintenance along with the protection from dirty water supplies which may affect their performance.

The Intaball Combi is a WRAS approved product making it the ideal valve for use with thermostatic mixing valves, pumps and showers. Other applications include fan coil units in low temperature heating systems.

The valve provides the benefits of ensuring the water is filtered and can be isolated, should this be required.

Construction Details

Component	Material	Grade
Body	DZR copper alloy	BS EN 12165 CW602N
End connections	DZR copper alloy	BS EN 12165 CW602N
Ball seat	PTFE	
Ball	Brass - chrome plated	BS EN 12165 CW617N
Stem	Brass	BS EN 12164 CW614N
Stem seal	Nitrile	
Strainer screen	Stainless steel	AISI 304

Product Code	Size	Style	Description
397 Range			
AL-397004	½"	1	f x f screwed iron - no drain port
AL-397104	¾"	1	f x f screwed iron - no drain port
AL-397204	1"	1	f x f screwed iron - no drain port
AL-397115	15	3	Cu x Cu - no drain port
AL-397122	22	3	Cu x Cu - no drain port
AL-401005	½" x ¾"	2	f x swivel nut - no drain port

395 Range			
AL-395004	½"	1	f x f screwed - with drain port
AL-395104	¾"	1	f x f screwed - with drain port
AL-395115	15	3	Cu x Cu - with drain port

Technical Data

Max. Pressure - threaded:	25 bar
Max. Pressure - Cu x Cu:	16 bar
Max. Temperature:	120°C
Strainer mesh size:	400 µ - 0.4 mm
Compression ends#:	BS EN 1254 - 2
Threaded ends:	BS EN ISO 228 - 1
Drain port thread:	G¼
WRAS approved product	

Altecnic Ltd Francesco House, Staples Close, Stafford ST16 1WQ

T: +44 (0)1785 218200 E: sales@altecnic.co.uk

Registered in England No: 02095101

altecnic.co.uk

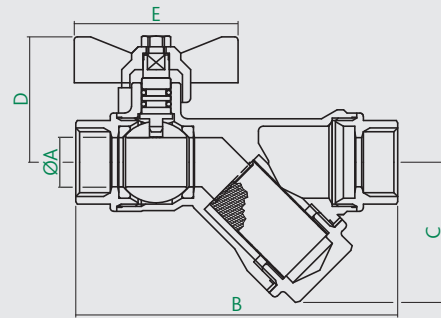
AL 280 20-03-25

E & O.E

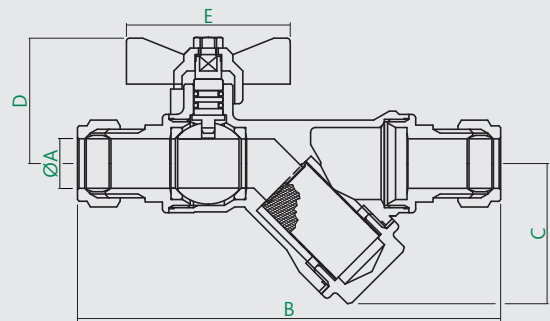
© Altecnic Limited. 2025

ALTECNIC™

Dimensions



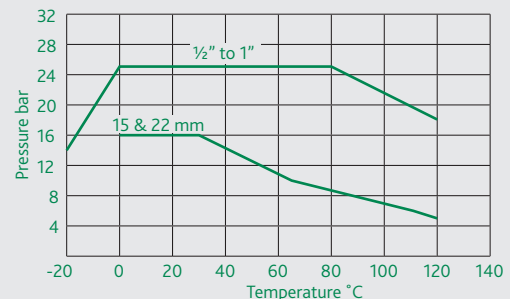
Prod Code	A*	B	C	D	E	kg
AL-397004	15	98	43	39	50	0.35
AL-397104	15	98	43	39	50	0.35
AL-397204	20	125	51	43	50	0.67
AL-395004	15	98	43	39	50	0.35
AL-395104	15	98	43	39	50	0.35
AL-401005	15	112	43	39	50	0.40



Prod Code	A*	B	C	D	E	kg
AL-397115	15	129	43	39	50	0.40
AL-397122	20	148	51	43	50	0.69
AL-395115	15	129	43	39	50	0.40

* ½" & ¾" and 15 & 22 exceeds the full bore and the 1" exceeds the reduced bore diameter circle specified in BS EN 13547.

Pressure - Temperature Diagram



Use with R250 (half hard) copper tube

altecnic