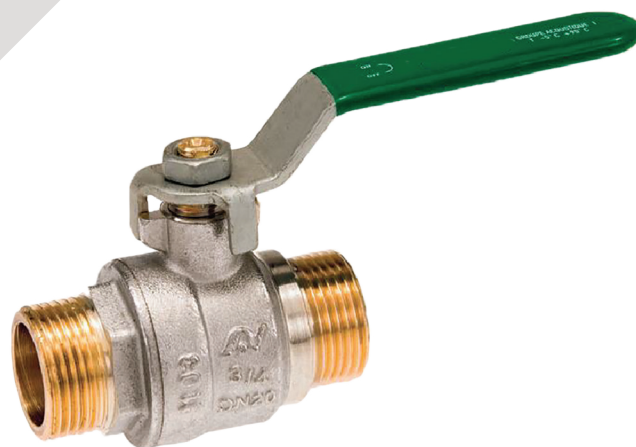


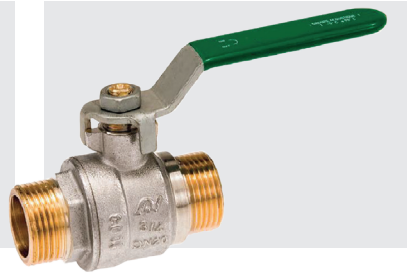
# 124-103 intaball

m x m lever ball valve



altecnic

# 124-103 m x m lever ball valve



## Application

The Altecnic Intaball ball valves with lever handle and male threaded ends are the ideal isolation valve, for use in steel pipe systems and with various pipe adaptors.

The valves are suitable for use on potable water and domestic hot and cold water services and for providing isolation on many other applications including chilled water, air and non corrosive liquids. Suitable for isolating individual outlets, or providing isolation for 'Y' strainers or control valves, should maintenance be required.

The lever handle is ideal for use where space is restricted.

## Design

The Altecnic 124-103 full bore brass ball valves with lever handle are operated through 90°, with bi-directional flow.

Hard chrome plated ball for increased wear resistance.

Compact design, with PTFE body seats for reliable isolation.

Anti blow-out stem.

The valves are designed for high flow rates with minimum pressure drops.

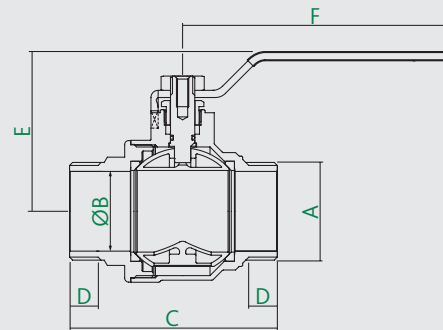
Supplied with parallel threaded ends complying with BS EN ISO 228-1 Valve are available with a neutral green lever sleeve.

## Construction Details

Component	Material	Grade
Body	Brass - nickel plated	BS EN 12165 CW617N
End connection	Brass - nickel plated	BS EN 12165 CW617N
Ball seat	PTFE	
Ball	Brass - chrome plated	BS EN 12164 CW617N
Stem	Brass	BS EN 12164 CW617N
Stem retaining ring	Brass	BS EN 12164 CW617N
Stem seals	PTFE	

Ref No	Size	Connections
124-1041 CST	3/8"	m x m screwed iron
124-1042 CST	1/2"	m x m screwed iron
124-1043 CST	3/4"	m x m screwed iron
124-1044 CST	1"	m x m screwed iron
124-1031 CST	1 1/4"	m x m screwed iron
124-1032 CST	1 1/2"	m x m screwed iron
124-1033 CST	2"	m x m screwed iron

## Dimensions

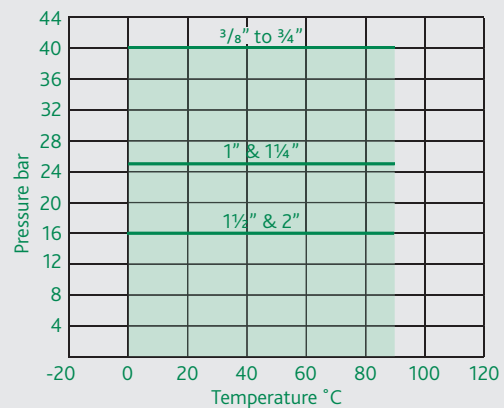


Size	A	B	C	D	E	F	kg
DN10	G3/8	10	48.5	10.5	39.5	80	-
DN15	G1/2	15	56	11	46.5	90	-
DN20	G3/4	20	66	13	50	90	-
DN25	G1	25	77.5	15	62.5	115	-
DN32	G1 1/4	32	89	16	72	130	0.825
DN40	G1 1/2	40	102	17	78	130	1.03
DN50	G2	50	116.5	18	91.5	150	1.90

## Technical Specification

Conforms to:		BS EN 13959
Max. pressure:	3/8" to 3/4" sizes	40 bar
	1" & 1 1/4" sizes	25 bar
	1 1/2" & 2" sizes	16 bar
Max. continuous temperature:		90°C
WRAS approved product		
PED Directive classification Group 2 Liquids		SEP

## Pressure - Temperature Diagram



## Installation

The valves are easy to install with just two joints to make.

© Patents & Design Altecnic 2025

Altecnic Ltd retains all rights (including patents, designs and copyrights, trademarks and any other intellectual property rights) in relation to all information provided on or via the website, brochures or any other documents, including all texts, graphics and logos, contained on the website, in brochures or in any other documents published in the name of or on behalf of Altecnic Ltd in any form, without prior written consent of Altecnic Ltd.

Altecnic Ltd Francesco House, Staples Close, Stafford ST16 1WQ

T: +44 (0)1785 218200 E: sales@altecnic.co.uk

Registered in England No: 02095101

altecnic.co.uk

AL 425 29-06-25

E & O.E

© Altecnic Limited. 2025

ALTECNIC™