

119-1005, 6, 7 & 8

DCV combi valves



altecnic

119-1005,6, 7 & 8 dcv combi valves



Application

With changes in building construction, there is a continual requirement for more compact and multi-functional valves. The Altecnic 119-100 combines the functions of a strainer, ball isolating valve and double check valve to meet these requirements.

The 119-100 butterfly handle DCV combi valve is the ideal compact valve to provide backflow prevention to the water supply.

The strainer provides protection from water supplies which may contain debris which may affect the performance of control valves.

The butterfly handle is compact and ideal where space is restricted.

Red and blue coloured handles give visual identification of the service.

The valve is a WRAS approved product making it the ideal valve for use with domestic pressure reducing valves, thermostatic mixing valves, pumps and showers.

The valve provides the benefits of ensuring the water is filtered and can be isolated, should this be required.

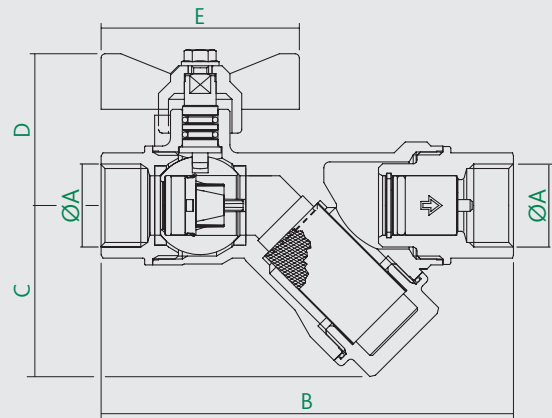
Construction Details

| Component | Material | Grade |
|-----------------------|-----------------------|--------------------|
| Body | DZR copper alloy | BS EN 12165 CW602N |
| End connection | DZR copper alloy | BS EN 12165 CW602N |
| Ball seat | PTFE | |
| Ball | Brass - chrome plated | BS EN 12164 CW617N |
| Stem | Brass | BS EN 12164 CW614N |
| Stem seals | Nitrile | |
| Strainer screen | Stainless steel | AISI 304 |
| Check valve cartridge | | Polypropylene |
| Butterfly handle | Aluminium | |

Product Range

| Red Lever | Blue Lever | Size | Connections |
|-----------|------------|------|-----------------|
| 119-1005 | 119-1006 | 1/2" | 1/2" F x 1/2" F |
| 119-1007 | 119-1008 | 3/4" | 3/4" F x 3/4" F |

Dimensions

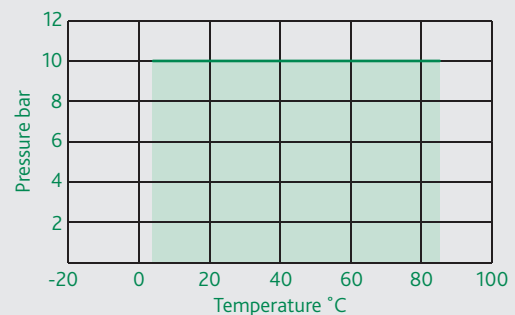


| Ref No | ØA | B | C | D | E |
|--------------|------|-------|----|----|----|
| 119-1005 & 6 | G1/2 | 104 | 43 | 39 | 50 |
| 119-1007 & 8 | G3/4 | 106.5 | 43 | 39 | 50 |

Technical Specification

| | |
|--|----------------|
| Conforms to: | BS EN 13959 |
| Max. pressure: | 10 bar |
| Min. pressure: | 0.1 bar |
| Max. temperature: | 85°C |
| Strainer mesh size: | 400 µ - 0.4 mm |
| Connections: | BS EN ISO 228 |
| WRAS approved product | |
| PED Directive classification Group 2 Liquids | SEP |

Pressure - Temperature Diagram



Installation

The valves are easy to install with just two joints to make.

© Patents & Design Altecnic 2025

Altecnic Ltd retains all rights (including patents, designs and copyrights, trademarks and any other intellectual property rights) in relation to all information provided on or via the website, brochures or any other documents, including all texts, graphics and logos, contained on the website, in brochures or in any other documents published in the name of or on behalf of Altecnic Ltd in any form, without prior written consent of Altecnic Ltd.

Altecnic Ltd Francesco House, Staples Close, Stafford ST16 1WQ

T: +44 (0)1785 218200 E: sales@altecnic.co.uk

Registered in England No: 02095101

altecnic.co.uk

AL 296 17-03-25

E & O.E

© Altecnic Limited. 2025

ALTECNIC™

altecnic