

303615 dzr

double check valve
with isolator



WRAS
APPROVED
PRODUCT

altecnic

303615 dzr double check valve with isolator



Application

The Altecnic 303615 double check valve with isolating ball valve is used to prevent the risk of backflow and back siphonage contamination in domestic dwellings, public and commercial buildings.

The valve should be installed close to the water outlet such as taps, basin taps, showers and toilets to prevent back siphonage contamination to the water supply, should a mains supply pipe burst.

The integral ball valve can act as a service valve to isolate the water outlet should maintenance or replacement be required in the future.

The Altecnic 303615 double check valve with isolating valve can be used as part of a filling loop to fill and pressurise central heating systems or as part of a sealed system kit for unvented heating systems.

Design

The 303615 double check valve complies with BS EN 13959 'Anti-pollution check valves' family E, type D - non controllable.

The 303615 non verifiable double check valve is manufactured from DZR copper alloy with a nickel plated finish, to enhance the appearance for exposed installations.

The valve provides category 3 protection for both backflow and back siphonage as specified in the Water Supply (Water Fittings) Regulations 1999.

Supplied with an integral test point for monitoring the function of the downstream check valve.

The valves are designed for high flow rates with minimum pressure drops.

Supplied with compression ends complying with BS EN 1252-2 for use with R250 (half hard) copper tube or female taper threads complying with BS EN 10226- 2.

Construction Details

Component	Material	Grade
Body	DZR copper alloy	BS EN 12420 CW602N
Cartridge	Plastic	
Cartridge Retaining Clip	Stainless steel	AISI 304
Test Plug	Nylon	
'O' ring	NBR rubber	
Compression Nut	Brass	BS EN 12164 CW614N
Olive	Brass	
Product code	Size	Connections
303615	15mm	copper x copper

E & O.E

Altecnic Ltd Mustang Drive, Stafford, Staffordshire ST16 1GW

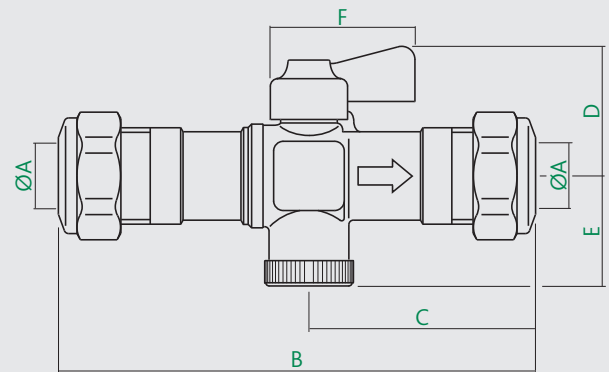
T: +44 (0)1785 218200 E: sales@altecnic.co.uk

Registered in England No: 2095101

altecnic.co.uk

AL 152 24-10-13

Dimensions



Product Code	ØA	B	C	D	E	F	kg
303615	15	85	40	28	24	31	0.20

Technical Data

Max inlet pressure:	10 bar
Min inlet pressure:	0.1 bar
Max continuous temperature:	85°C
Conforms to:	BS EN 13959
WRAS approved product	

Installation

The valves are very simple to install with just two joints to make.

The flow through the valves must follow the direction arrow on the valve body.