

series 400

radiator valves



altecnic

series 400 radiator valves



Design

The Altecnic series 400 radiator valves provide manual regulation and isolation to radiators and other heat emitters on heating systems.

The wheelhead valves are specially designed to enable the valves to be converted, at a future date, from manual to thermostatic operation simply by replacing the handwheel with a thermostatic controller.

Their aesthetic design satisfies the requirements of modern commercial buildings and domestic interiors.

Chrome plated bodies with white handwheels and lockshield covers give an unobtrusive appearance and complements most decors.

The inlet connection to all valves is a female pipe thread to BS EN 228 for use with steel pipe or an adaptor for other pipe systems.

The outlet connection is a union tailpipe with an external pipe thread to BS EN 228.

Materials of Construction

Body	Brass	BS EN 12165 CW617N
Union nut	Brass	BS EN 12164 CW617N
Tailpiece	Brass	BS EN 12164 CW614N
Seals - 'O' rings	EPDM	
Handwheel	ABS (RAL 9010)	
Lockshield Cover	ABS (RAL 9010)	
Body finish	Chrome Plated	

Technical Specification

Max. working pressure (static):	10 bar
Max. temperature:	100 °C
Medium:	water, glycol solution
Max percentage of glycol:	30%

Prod Code	Description
431402	1/2" lockshield angled radiator valve
431503	3/4" lockshield angled radiator valve
401402	1/2" wheelhead angled radiator valve
401500	3/4" wheelhead angled radiator valve
432402	1/2" lockshield straight radiator valve
432402	3/4" lockshield straight radiator valve
402402	1/2" wheelhead straight radiator valve
402500	3/4" wheelhead straight radiator valve

E & O.E

Altecnic Ltd Mustang Drive, Stafford, Staffordshire ST16 1GW

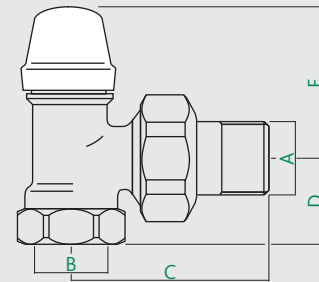
T: +44 (0)1785 218200 E: sales@altecnic.co.uk

Registered in England No: 2095101

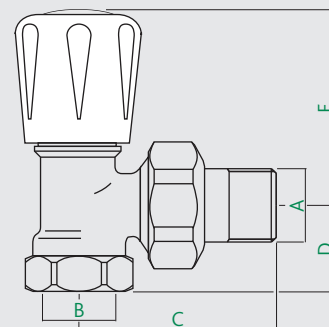
altecnic.co.uk

AL 030 14-05-11

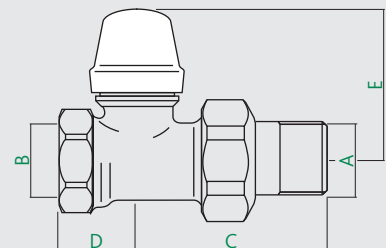
Dimensions



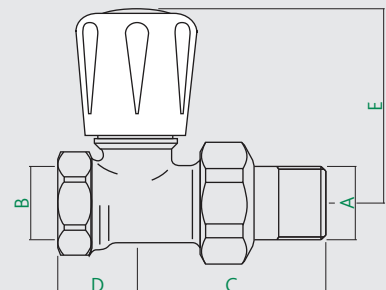
Prod Code	A	B	C	D	E	kg
431402	G1/2B	G1/2	53.5	23	38	0.24
431503	G3/4B	G3/4	62.5	25	47	0.36



Prod Code	A	B	C	D	E	kg
401402	G1/2B	G1/2	53.5	51.5	100	0.25
401500	G3/4B	G3/4	62.5	60.5	108	0.39



Prod Code	A	B	C	D	E	kg
432402	G1/2B	G1/2	52	22	44.5	0.25
432402	G3/4B	G3/4	59.5	30	49.5	0.39



Prod Code	A	B	C	D	E	kg
402402	G1/2B	G1/2	52	22	103	0.25
402500	G3/4B	G3/4	59.5	30	112	0.39