

373 intaball

lever ball valve



WRAS
APPROVED
PRODUCT

altecnic

373 intaball lever ball valve - compression ends



Application

The Altecnic Intaball lever ball valve with compression ends is the ideal isolation valve, for use in copper pipe systems.

Suitable for isolating individual outlets, or providing isolation for 'Y' strainers or control valves, should maintenance be required.

In larger systems they can provide isolation on heating, chilled and the primary side of HWS services on zones, branches or floors.

Design

The Intaball brass ball valves are lever operated through 90°, with bi-directional flow.

Hard chrome plated ball for increased wear resistance.

Compact design, with PTFE body seats for reliable isolation.

The valves are designed for high flow rates with minimum pressure drops.

Supplied with compression ends complying with BS EN 1252-2 for use with R250 (half hard) copper tube.

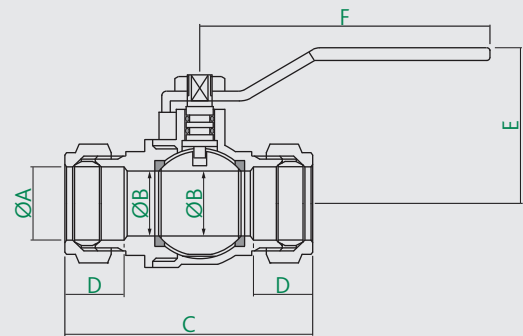
Valve are available with either a red or blue lever sleeve for visual indication of hot or cold service.

Construction Details

Component	Material	Grade
Body	Brass - nickel plated	BS EN 12165 CW617N
End connection	Brass - nickel plated	BS EN 12165 CW617N
Ball seat	PTFE	
Ball	Brass - chrome plated	BS EN 12164 CW617N
Stem	Brass	BS EN 12164 CW614N
Gland 'O' ring	Nitrile rubber	
Compression nut	Brass	BS EN 12164 CW617N
Olive	Brass	BS EN 12449 CW508L

Product Code Blue Lever	Product Code Red Lever	Size mm	Connection
373 Range			
AL-373B15	AL-373R15	15	copper x copper
AL-373B22	AL-373R22	22	copper x copper
AL-373B28	AL-373R28	28	copper x copper
AL-373B35	AL-373R35	35	copper x copper
AL-373B42	AL-373R42	42	copper x copper
AL-373B54	AL-373R54	54	copper x copper

Dimensions



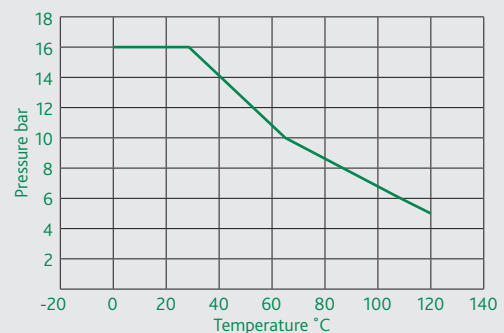
Connection	A	B*	C	D	E	F	kg
15	15.2	15	68	8.5	43	90	0.22
22	22.2	20	78	8.5	47	90	0.33
28	28.2	25	91	8.5	57	110	0.54
35	35.2	32	107	10	72	125	1.02
42	42.2	40	116	10	84	150	1.52
54	54.2	49	140	12.5	91	150	2.38

* exceeds the full bore diameter circle specified in CEN/ 13547.

Technical Data

Conforms to:	CEN/TS 13547
Pressure / Temperature Rating:	BS EN 1254-2
Max. Temperature at 16 bar:	30°C
Max. Temperature at 10 bar:	65°C
Max. Temperature at 6 bar:	110°C
Max. Temperature at 5 bar:	120°C
WRAS approved product	
PED directive classification Group 2 Liquids SEP	

Pressure - Temperature Diagram



Installation

The valves are very simple to install with just two joints to make.

Ensure the valve with the correctly coloured lever sleeve is fitted for the service.

E & O.E

Altecnic Ltd Mustang Drive, Stafford, Staffordshire ST16 1GW

T: +44 (0)1785 218200 E: sales@altecnic.co.uk

Registered in England No: 2095101

altecnic.co.uk

AL 022 02-06-14